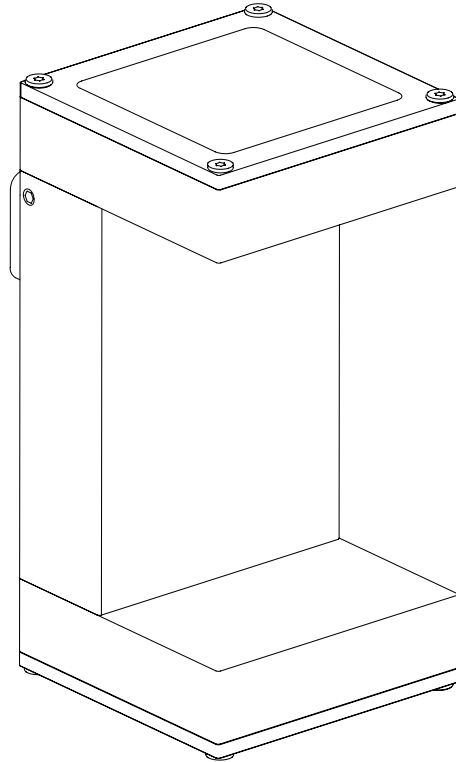


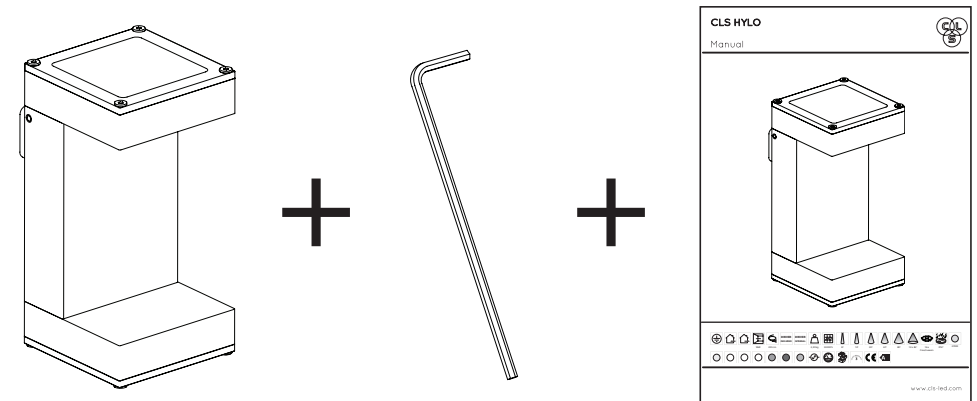
| | | | |
|--------------------|---|------------------|---|
| Index | 2 | Installation | 4 |
| Safety information | 2 | Lens replacement | 5 |
| Content | 2 | Lens index | 6 |
| Technical | 3 | List of symbols | 7 |
| Specifications | 3 | | |



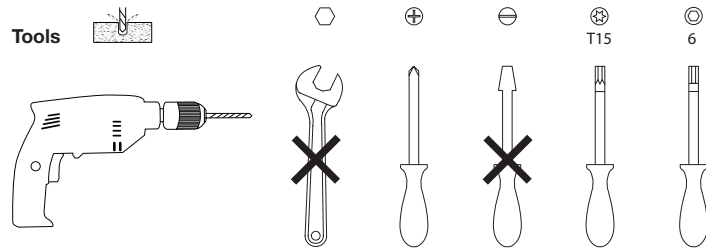
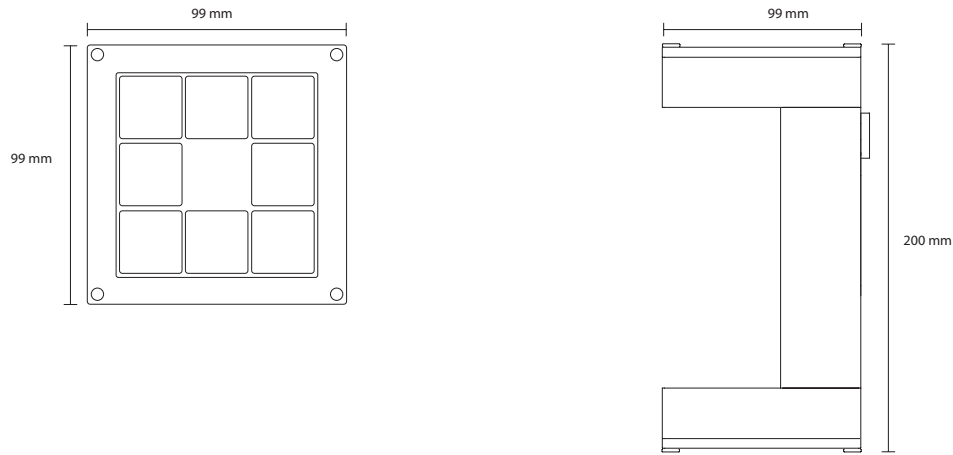
SAFETY INFORMATION

| | | | | | |
|---|--|--|---|--|-----------------------------------|
| | | | | | |
| Make sure all connectors are connected properly | Use a source of AC power that complies to local electrical codes | Block access below the work area when maintaining the unit | Don't modify or install genuine parts on this product | Don't install in a flammable or explosive area | Warning! Some surfaces can be hot |

CONTENT



| | | | | | | | | | | | | | | | | | |
|--|--|--|--|--|------------------------|------------------------|--|--|--|--|--|--|--|--|--|--|--|
| | | | | | DRIVER INCLUDED | DRIVER INTERNAL | | | | | | | | | | | |
| | | | | | | | | | | | | | | | | | |

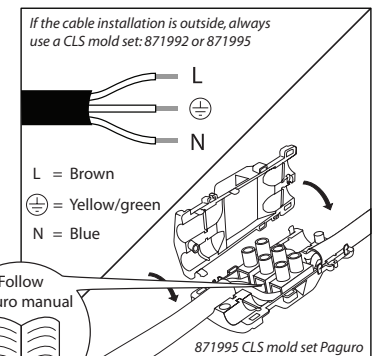
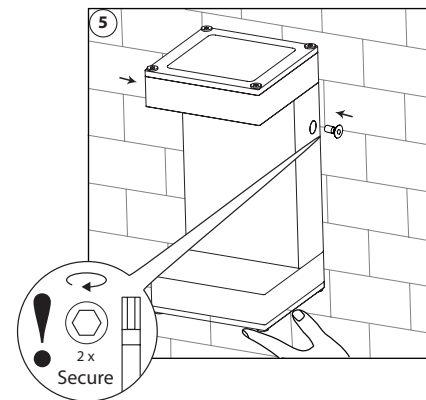
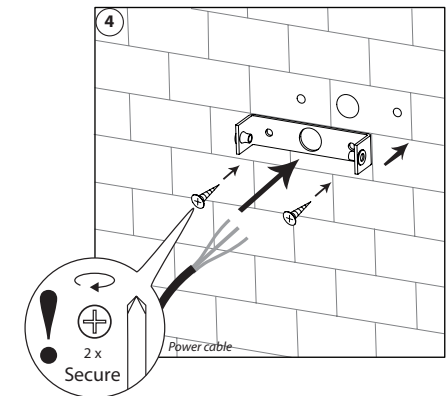
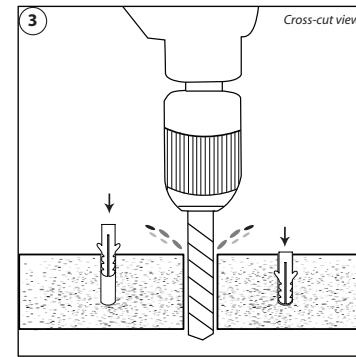
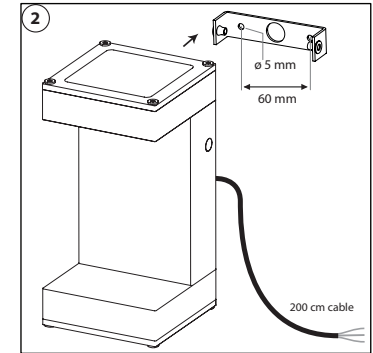
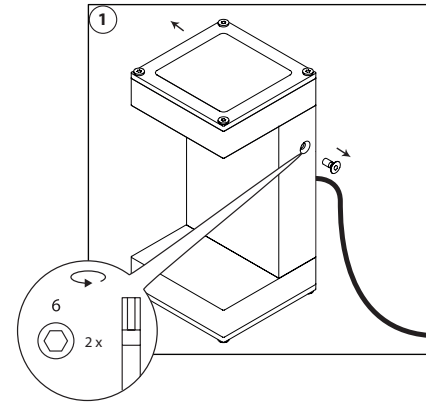


SPECIFICATIONS

LED: 16 x High Power LED
 Available colours: 2700K, 3000K, 5000K, 4000K, 6500K, amber, royal blue, green and red
 Lenses: 8°, 12°, 30°, 61°, 80° & 12x46°
 Power supply: 180 - 264 VAC
 Power factor: > 0,92
 Power consumption: Max. 20 VA
 Housing: Anodised aluminum
 Weight: 2,3 kg
 IP value: IP67
 Cable length: 2 meter
 Measurements: 200 x 99 x 99 mm (hwxwd)
 Ambient temperature: -30° C till +40° C

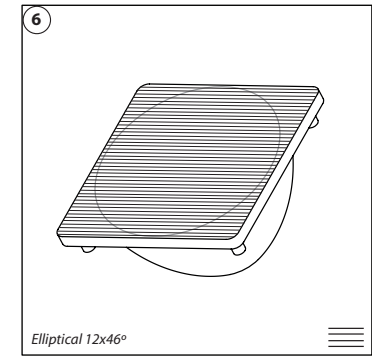
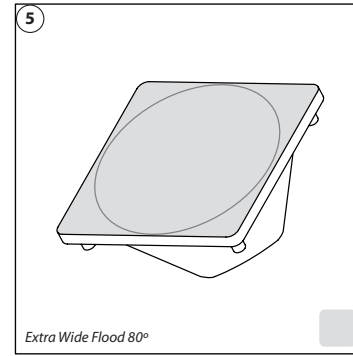
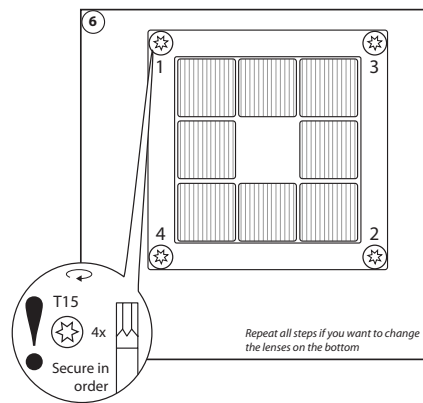
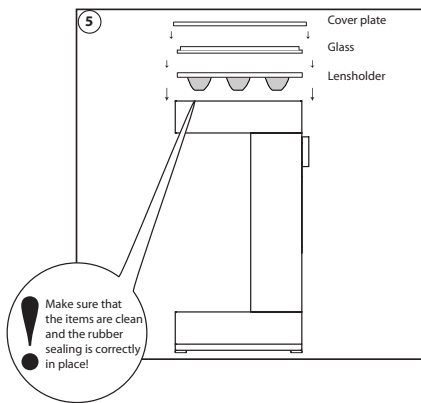
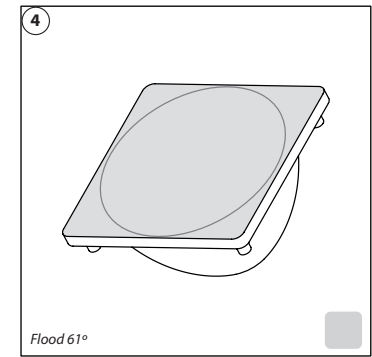
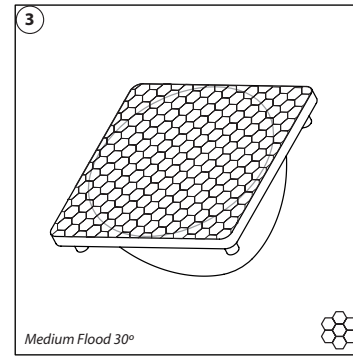
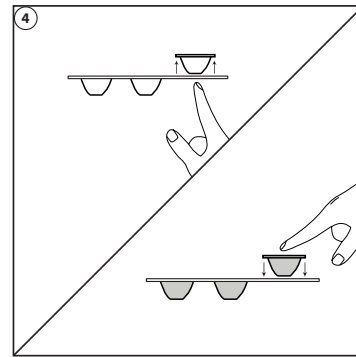
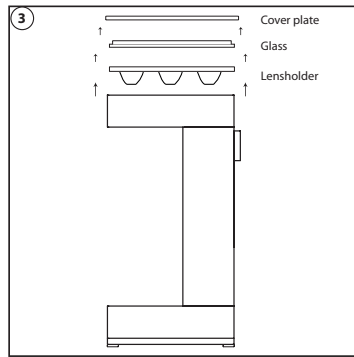
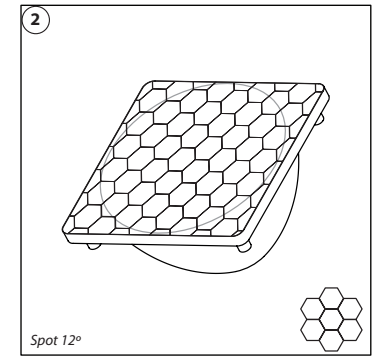
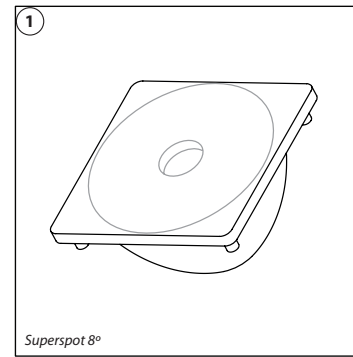
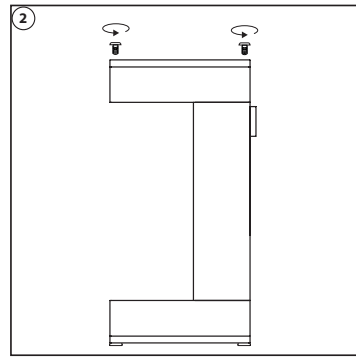
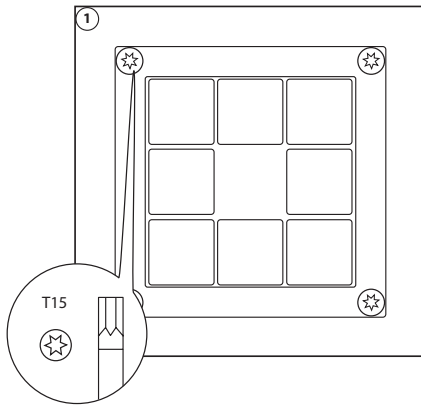
ACCESSORIES

110415 CLS REVO lens kit superspot 8° 8 pcs of lenses
 110425 CLS REVO lens kit spot 12° 8 pcs of lenses
 110435 CLS REVO lens kit medium flood 30° 8 pcs of lenses
 110445 CLS REVO lens kit wide flood 61° 8 pcs of lenses
 110455 CLS REVO lens kit elliptical 12x46° 8 pcs of lenses
 871995 CLS mold set Paguro



LENS REPLACEMENT

LENS INDEX



LIST OF SYMBOLS

| | | | |
|--|--|--|--|
| | Protection class One, two or three | | Retail & Food LED modules Clothing, furniture, kitchens, jewellery, shoes, bread, meat, fish and vegetables & fruit. |
| | Application area Indoor or outdoor | | Swivel Fixture is horizontally rotatable, indicated in degrees |
| | Application area Floor, wall or ceiling | | Swivel Fixture is vertically rotatable, indicated in degrees |
| | Multiple connection Daisychain connectivity | | Cutting length Indicated by the cutting marks |
| | Installation depth In centimeters | | LED pitch Pitch between the LEDs in millimeters |
| | Installation size In centimeters | | Power supply In VDC, VAC or milliAmpere |
| | Cable length Maximum cable attached to the fixture in centimeters | | Power consumption In VA or Watt |
| | Driver Inclusive or exclusive Internal or external | | Dimmable 1-10 Volt, Phase, individual, DMX dimmable or DALI |
| | Weight In grams/kilograms | | PWM dimming Traditional PWM dimming, DMX analog or DMX Hybrid dim |
| | Pressure Maximum pressure on the fixture in kg/cm ² | | Bluetooth controlled By Casambi |
| | Lifespan Of the light source in hours | | Magne dimming Accurate dimming from 100 - 1% by using a magnet |
| | Lenses Available lenses, indicated in degrees | | Dynamic Control Dynamic Power Control or Dynamic Temperature Control |
| | Performance Zoom Adjustable beam angle | | DMX input Fixture works on DMX512 protocol or Wireless DMX |
| | LEDs Kind of LED used in the fixture | | Combined product Compose your own fixture |
| | Plug & play Easy connection using the SmartConnect system | | Warranty 3 or 5 years warranty on the product |
| | IP value Ingress Protection classifies the degrees of protection provided against the intrusion of the product | | Conformité Européenne CE marking for free marketability of industrial goods within the EU |
| | Colour changing RGB, RGB-W, RGB-A, AWB or Tunable White | | Energy label |
| | | | Lightsource Equipped with a CLS, Citizen or a Xicato LED module |

2021 CLS-LED BV. All rights reserved. Information subject to change without notice. CLS-LED BV and all affiliated companies disclaim liability for injury, damage direct or indirect loss, consequential or economic loss or any other loss occasioned by the use of, inability to use or reliance on the information contained in this manual. No part of this manual may be reproduced, in any form or by any means, without permission in writing from CLS-LED BV. Other legal information can be found in our General conditions, found on the back of your CLS-LED BV invoice, inside the CLS catalogue or on our website www.cls-led.com/General-Terms.pdf