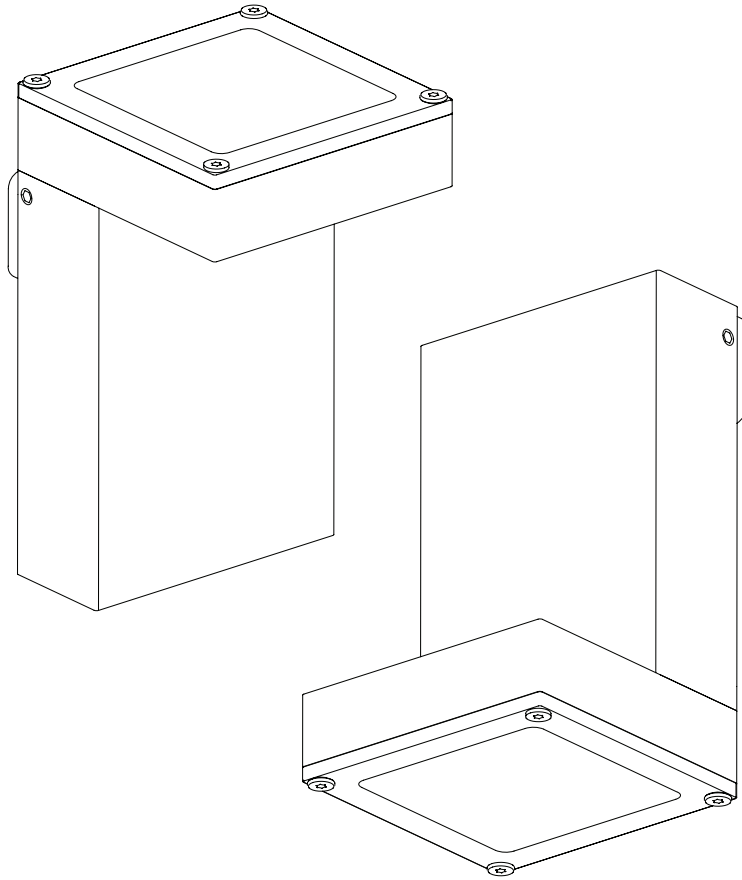


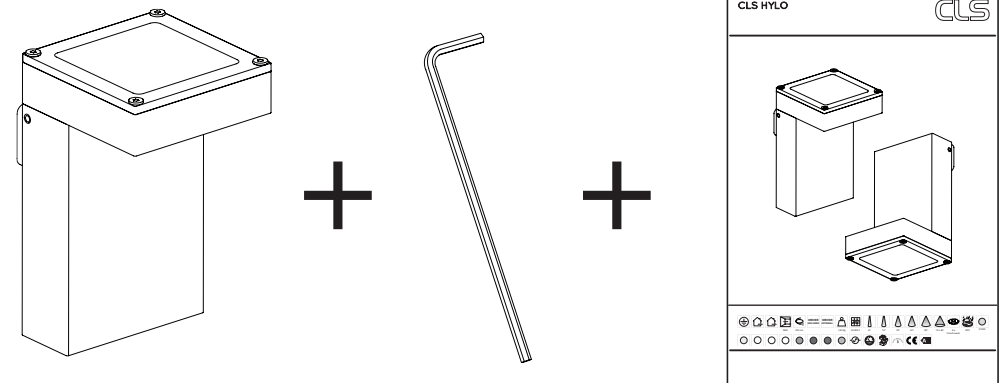
Index	2	Installation	4
Safety information	2	Lens replacement	5
Content	2	Lens index	6
Technical	3	List of symbols	7
Specifications	3		

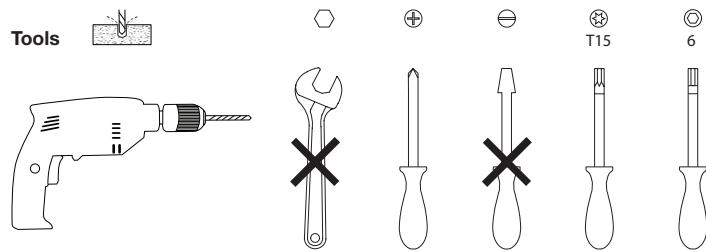
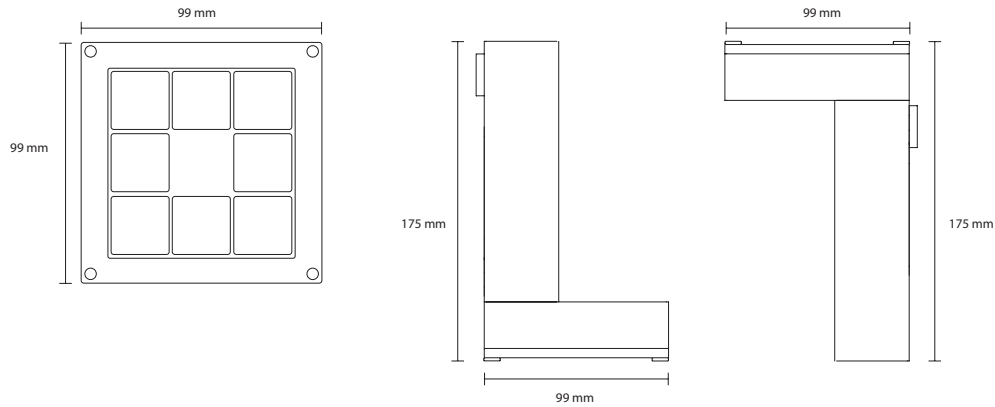


SAFETY INFORMATION

Make sure all connectors are connected properly	Use a source of AC power that complies to local electrical codes	Block access below the work area when maintaining the unit	Don't modify or install genuine parts on this product	Don't install in a flammable or explosive area	Warning! Some surfaces can be hot

CONTENT



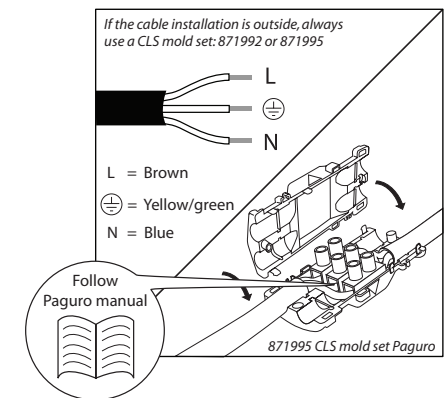
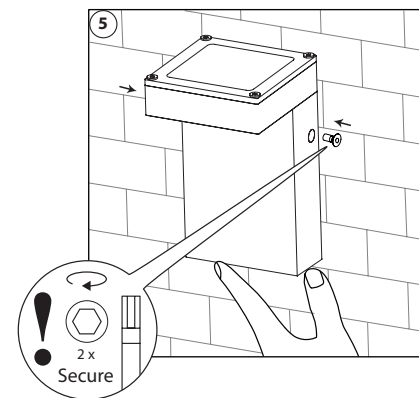
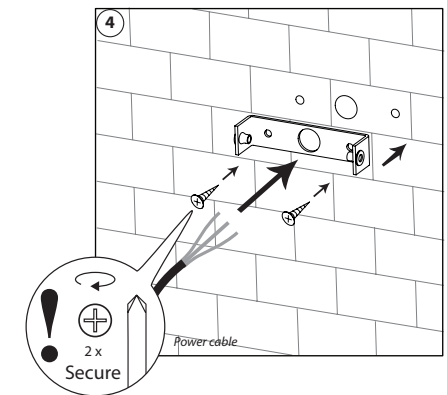
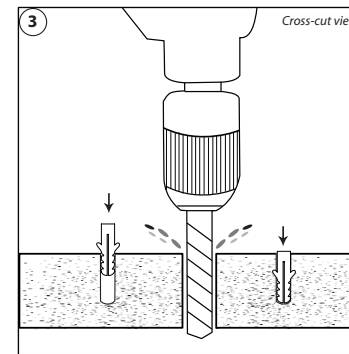
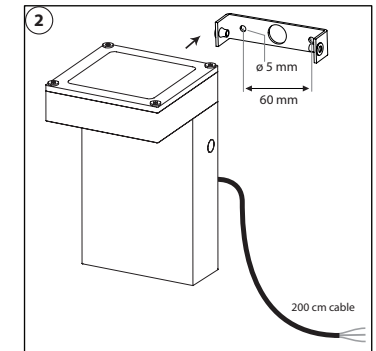
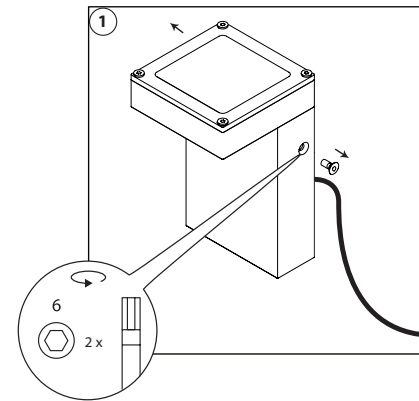


SPECIFICATIONS

LED: 8 x High Power LED
 Available colours: 2700K, 3000K, 4000K, 5000K, 6500K
 amber, royal blue green and red
 Lenses: 8°, 12°, 30°, 61°, 80° & 12x46°
 Power supply: 180 - 264 VAC
 Power factor: > 0.92
 Power consumption: Max. 10 VA
 Housing: Anodised aluminum
 Weight: 1.9 kg
 IP value: IP67
 Cable length: 2 meter
 Measurements: 175 x 99 x 99 mm (h x w x d)
 Ambient temperature: -30° C till +40° C

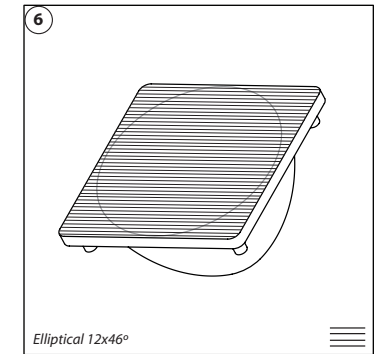
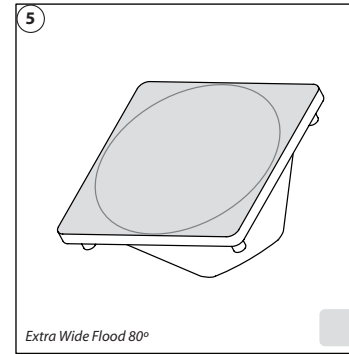
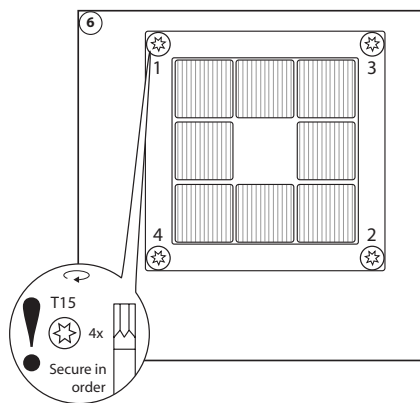
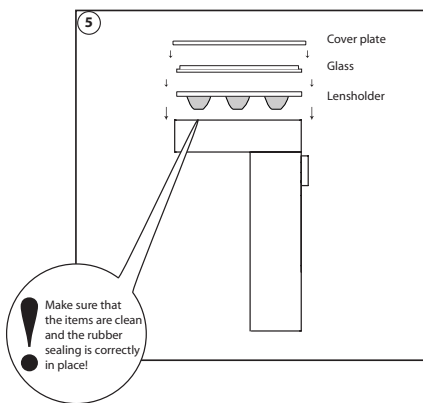
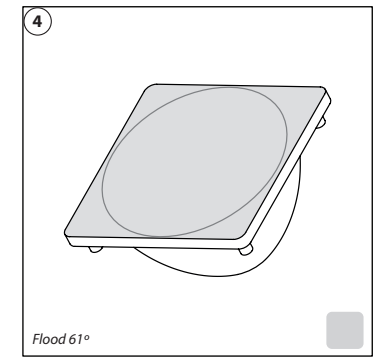
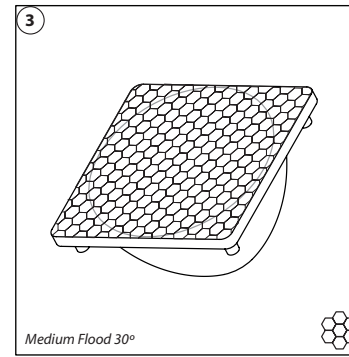
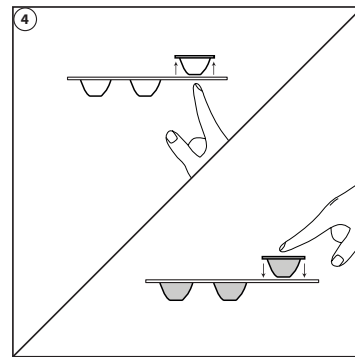
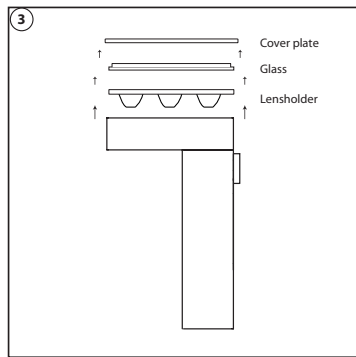
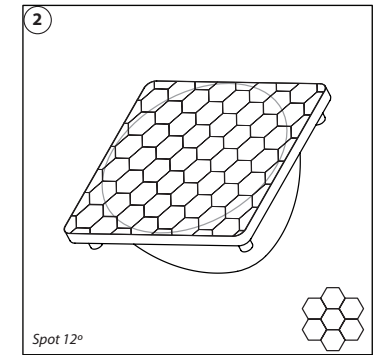
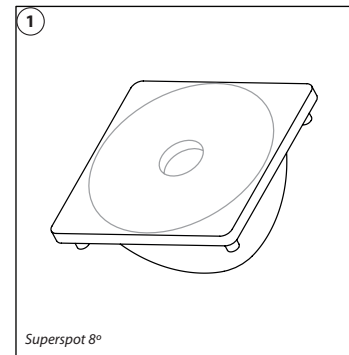
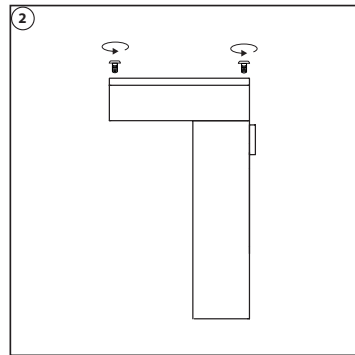
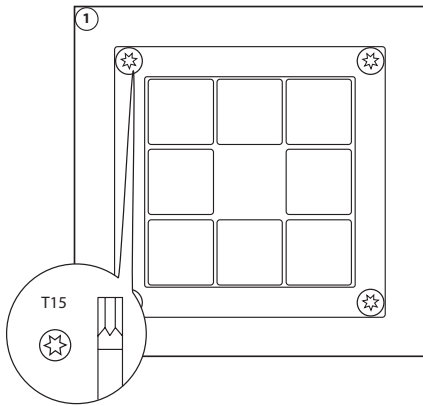
ACCESSORIES

110415 CLS REVO lens kit superspot 8° 8 pcs of lenses
 110425 CLS REVO lens kit spot 12° 8 pcs of lenses
 110435 CLS REVO lens kit medium flood 30° 8 pcs of lenses
 110445 CLS REVO lens kit wide flood 61° 8 pcs of lenses
 110455 CLS REVO lens kit elliptical 12x46° 8 pcs of lenses
 871995 CLS mold set Paguro



LENS REPLACEMENT

LENS INDEX



LIST OF SYMBOLS

	Protection class One, two or three		Retail & Food LED modules Clothing, furniture, kitchens, jewellery, shoes, bread, meat, fish and vegetables & fruit.
	Application area Indoor or outdoor		Colour Available colours: Amber, blue, red or green
	Application area Floor, wall or ceiling		White colour temperature In different Kelvin values: Cold white, neutral white, warm white or extra warm white
	Swivel Fixture is horizontally rotatable, indicated in degrees		Curve Minimal bending curve in centimeters
	Swivel Fixture is vertically rotatable, indicated in degrees		Cutting length Indicated by the cutting marks
	Multiple connection Daisychain connectivity		LED pitch Pitch between the LEDs in millimeters
	Installation depth In centimeters		Power supply In VDC, VAC or milliAmpere
	Installation size In centimeters		Power consumption In VA or Watt
	Cable length Maximum cable attached to the fixture in centimeters		Driver Inclusive or exclusive internal or external
	Weight In grams/kilograms		Dimmable 1-10 Volt, Phase, individual, DMX dimmable or DALI
	Pressure Maximum pressure on the fixture in kg/cm ²		PWM dimming Traditional PWM dimming, DMX analog or DMX Hybrid dim
	Lifespan Of the light source in hours		Bluetooth controlled By Casambi
	Lenses Available lenses, indicated in degrees		Magne dimming Accurate dimming from 100 - 1% by using a magnet
	Performance Zoom Adjustable beam angle		Dynamic Control Dynamic Power Control or Dynamic Temperature Control
	LEDs Kind of LED used in the fixture		DMX input Fixture works on DMX512 protocol or Wireless DMX
	Plug & play Easy connection using the SmartConnect system		Combined product Compose your own fixture
	IP value Ingress Protection classifies the degrees of protection provided against the intrusion of the product		Warranty 3 or 5 years warranty on the product
	Colour changing RGB, RGB-W, RGB-A, AWB or Tunable white		Conformité Européenne CE marking for free marketability of industrial goods within the EU
			Energy label
			Light source Equipped with a CLS, Citizen or a Xicato LED module

2021 CLS-LED BV. All rights reserved. Information subject to change without notice, CLS-LED BV and all affiliated companies disclaim liability for injury, damage direct or indirect loss, consequential or economic loss or any other loss occasioned by the use of, inability to use or reliance on the information contained in this manual. No part of this manual may be reproduced, in any form or by any means, without permission in writing from CLS-LED BV. Other legal information can be found in our General conditions, found on the back of your CLS-LED BV invoice, inside the CLS catalogue or on our website www.cls-led.com/General-Terms.pdf