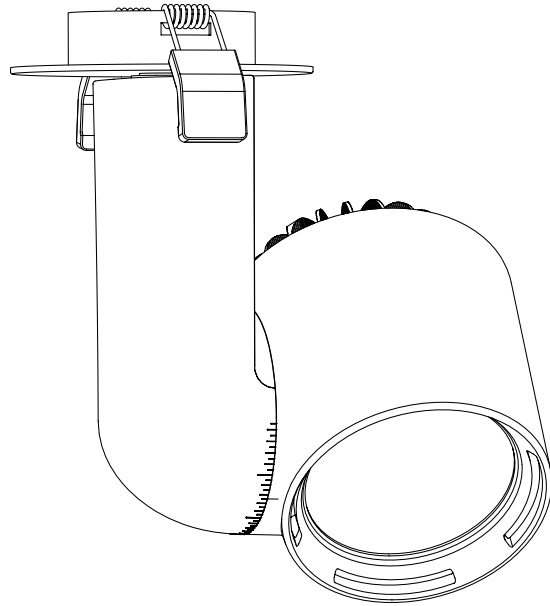
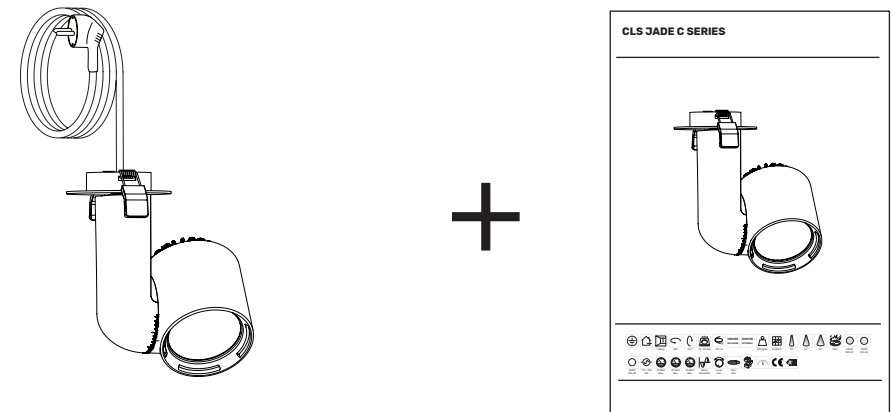


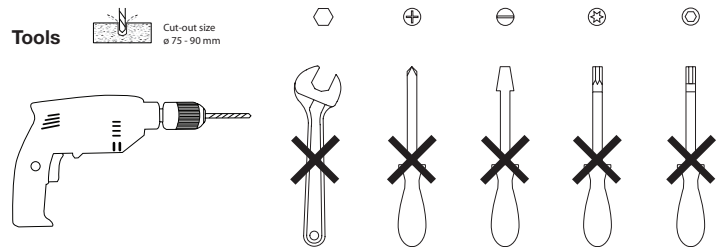
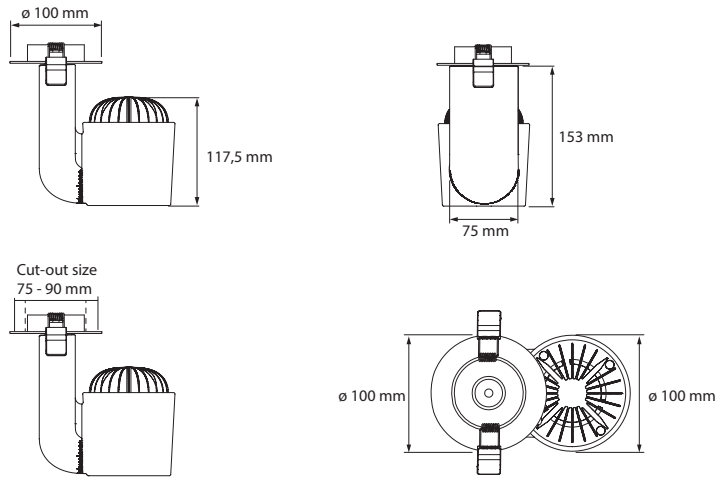
Index	2	Specifications	3
Safety information	2	Installation	4
Content	2	List of symbols	5
Technical	3		



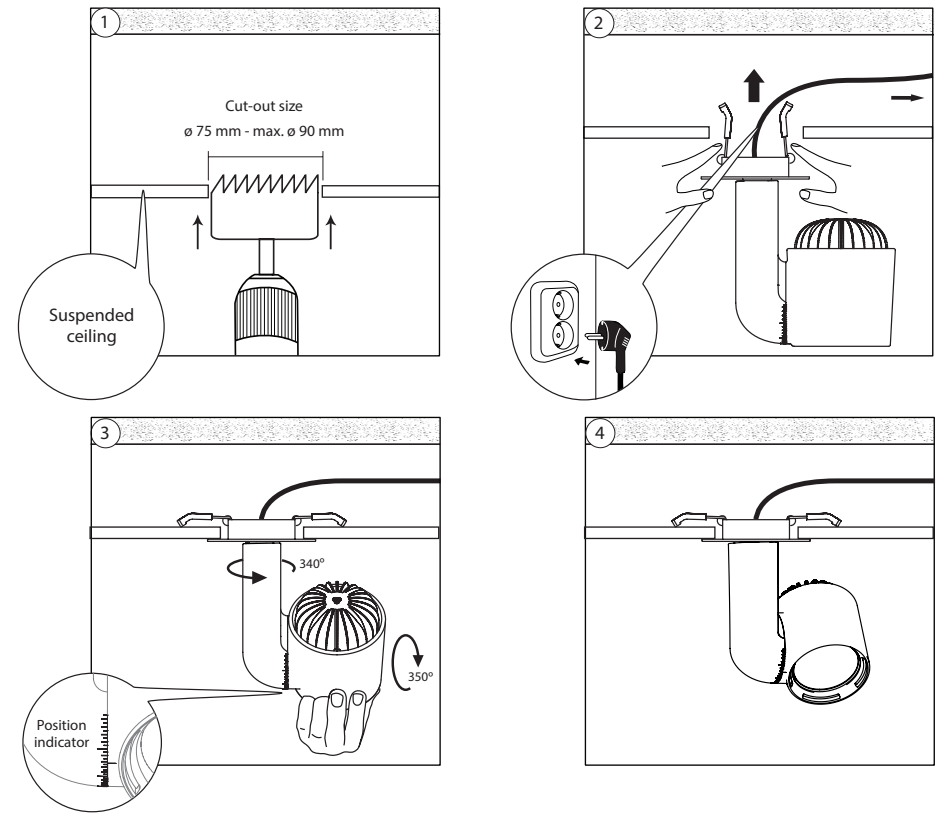
## SAFETY INFORMATION


## CONTENT



SPECIFICATIONS	
LED:	Citizen
Available colours:	CRI 90: 2700K, 3000K & 4000K
Beam angle:	19°, 37° or 63°
Power supply:	100 ~ 240 VAC
Power consumption:	Max. 20 Watt (2000 lumen) Max. 30 Watt (3500 lumen) Max. 40 Watt (3850 lumen)
Housing:	Black, grey or white PC (PC-ABS V0) Heatsink black, grey or white coated aluminium
Weight:	780 gram
Cable length:	150 cm with schuko connector
IP value:	IP20
Measurements:	152,7 x 100 x 100 mm (hwxwd)
Ambient temperature:	-10° C till +40° C



# LIST OF SYMBOLS



**Protection class**  
One, two or three



**Application area**  
Indoor or outdoor



**Application area**  
Floor, wall or ceiling



**Swivel**  
Fixture is horizontally rotatable, indicated in degrees



**Swivel**  
Fixture is vertically rotatable, indicated in degrees



**Multiple connection**  
Daisychain connectivity



**Installation depth**  
In centimeters



**Installation size**  
In centimeters



**Cable length**  
Maximum cable attached to the fixture in centimeters



**Driver**  
Inclusive or exclusive Internal or external



**Weight**  
In grams/kilograms



**Pressure**  
Maximum pressure on the fixture in kg/cm<sup>2</sup>



**Lifespan**  
Of the light source in hours



**Lenses**  
Available lenses, indicated in degrees



**Performance Zoom**  
Adjustable beam angle



**LEDs**  
Kind of LED used in the fixture



**Plug & play**  
Easy connection using the SmartConnect system



**IP value**  
Ingress Protection classifies the degrees of protection provided against the intrusion of the product



**Colour changing**  
RGB, RGB-W, RGB-A, AWB or Tunable White



**Retail & Food LED modules**  
Clothing, furniture, kitchens, jewellery, shoes, bread, meat, fish and vegetables & fruit.



**Colour**  
Available colours:  
Amber, blue, red or green



**White colour temperature**  
In different Kelvin values:  
Cold white, neutral white, warm white or extra warm white



**Curve**  
Minimal bending curve in centimeters



**Cutting length**  
Indicated by the cutting marks



**LED pitch**  
Pitch between the LEDs in millimeters



**Power supply**  
In VDC, VAC or milliAmpere



**Power consumption**  
In VA or Watt



**Dimmable**  
1-10 Volt, Phase, individual, DMX dimmable or DALI



**PWM dimming**  
Traditional PWM dimming, DMX analog or DMX Hybrid dim



**Bluetooth controlled**  
By Casambi



**Magne dimming**  
Accurate dimming from 100 - 1% by using a magnet



**Dynamic Control**  
Dynamic Power Control or Dynamic Temperature Control



**DMX input**  
Fixture works on DMX512 protocol or Wireless DMX



**Combined product**  
Compose your own fixture



**Warranty**  
3 or 5 years warranty on the product



**Conformité Européenne**  
CE marking for free marketability of industrial goods within the EU



**Energy label**



**Lightsource**  
Equipped with a CLS, Bridgelux or a Xicato LED module

2025 CLS-LED BV. All rights reserved. Information subject to change without notice, CLS-LED BV and all affiliated companies disclaim liability for injury, damage direct or indirect loss, consequential or economic loss or any other loss occasioned by the use of, inability to use or reliance on the information contained in this manual. No part of this manual may be reproduced, in any form or by any means, without permission in writing from CLS-LED BV. Other legal information can be found in our General conditions, found on the back of your CLS-LED BV invoice, inside the CLS catalogue or on our website [www.cls-led.com/General-Terms.pdf](http://www.cls-led.com/General-Terms.pdf)