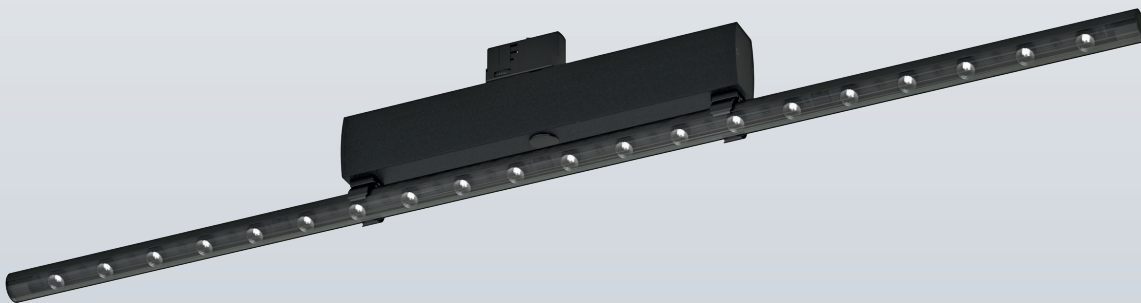


CLS

Lina Track series

Track fixtures

A Unique Combination of Design & Visual Comfort



Lina Track series

CLS Lina Track series

At the request of several architects and designers, the Lina fixtures are now available as rail versions.

Both the Remote Phosphor (RP) version and the High Power (HP) versions are available in this new edition. Both offer specific benefits, which we will explain in this brochure.

The Remote Phosphor LED technology offers several major advantages over normal LED technology:

- > 120° Homogeneous light distribution, without any shadows cast on the illuminated surfaces/objects.
- > Effective light output of up to 3000 lumen per meter.
- > No visible LED light sources.

The HP versions offer a wide choice of light colours and light opening angles: from an extremely narrow 14° beam to even an oval shaped 36° x 14° beam.

Herewith, architects and lighting designers are sure that the ideal light beam angle is available for illuminating any surface or object.

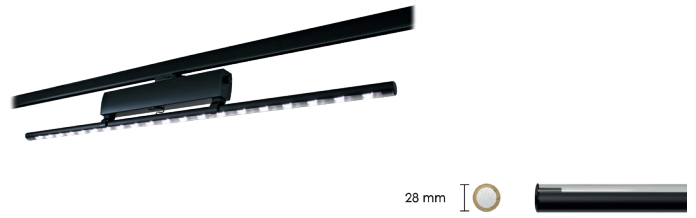
And precisely the combination of the Lina Remote Phosphor with the Lina High Power versions offers to every lighting designer and architect the ultimate freedom to create the ideal lighting scheme within 1 elegant slim design.

You use the Remote Phosphor as a superior alternative for fluorescent fixtures, and simultaneously you can use the High Power version as fixture for illuminating objects, products and paintings.

What Makes the Lina Track Such a Unique Series of Fixtures?

Exceptionally Elegant & Compact housing

Architects and designers worldwide have expressed their enthusiasm about the Lina's form factor. Slim, with elegantly shaped curves and a diameter of only **28 mm**, the fixture is suitable for each interior. The extremely compact dimensions also allows for the Lina to be installed in confined spaces.



High Light Efficiency

Both the RP series and also the HP series use the latest generation of LED modules, so you are assured of a high effective light output.

All versions of the Lina have an energy label of A or higher.



A High Level of Visual Comfort

In addition to the amount of light that is effectively needed for an application, in most cases the level of visual comfort is of equal importance. The Lina is fitted with a specially developed optical front cover, which reduces glare to a minimum.

The Lina RP offers a totally homogeneous light distribution of up to 120°. The Remote Phosphor technology also guarantees no shadows to be cast onto the illuminated surfaces/objects, allowing for a more comfortable working environment.

Wide Choice of Beam Angles

The HP version offers as much as 5 different beam angles to choose from, varying from narrow spot to an flood beam angle. Additionally, an elliptical beam angle is available.

The RP version offers a exceptionally light distribution up to 120°.





Choice of Different White Light Colours

The Lina RP is available in the following colour temperatures: Extra warm white (2700K), warm white (3000K), neutral white (4000K) and cool white (5000K). The extra warm white and warm white versions offer a CRI value of **>92**. The colour rendition is therefore much better than fluorescent light sources. A high CRI value also contributes to a higher level of visual comfort, because all colours, of people as well as objects, appear much more natural.

The HP versions are available in extra warm white (2700K), warm white (3000K) and neutral white (4000K).



Dimming Options

For optimal ease of use, a dimming option is available. This possibility consists of dimming on the driver housing by means of a potentiometer (local dimming).

Therefore, The Lina fixtures can always be perfectly integrated into your new-, or even existing infrastructure.

Sizes and Colours

The Lina Track fixtures come in many standard lengths: 55, 80 & 105 cm.

For perfect integration in each interior, the fixtures are available in white, black or grey finish.

Large Horizontal and Vertical Adjustment Range

With a horizontal adjustment range of 350° and a vertical adjustment range of not less than 180°, there is no other rail fixture that offers you more freedom when optimally illuminating objects and spaces.

Custom Project Solutions

As a medium sized manufacturer, CLS LED is able to quickly create customized solutions on a project basis.

Our R&D engineers take pride in a very pragmatic approach and will therefore always come to a solution that is perfectly suitable, yet cost effective.

Some examples of special, customized solutions:

- > Customized mechanical attachment of the Lina Suspended, allowing for it to be used as uplighter.
- > Custom lengths for perfect integration in e.g. display cases in museums and shops.

Application Possibilities

As it is impossible to list all applications for which the Lina Track series can be used, we will state just a few:

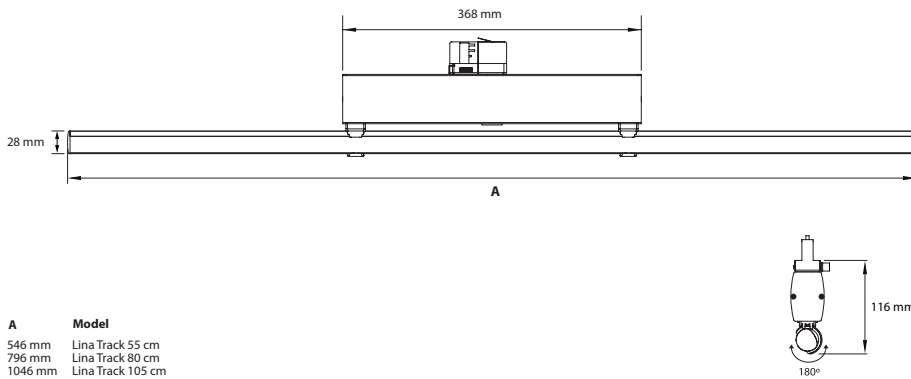
- > General lighting in all possible rooms, ranging in heights of 2.5 meters up to 14 meters.
- > Illuminating objects/products in musea.
- > Desktop lighting in offices.
- > Worktop lighting in production environments.
- > Linear lighting in supermarkets, shops, data centres, airports and all other possible environments.

Worldwide, architects and designers are constantly finding new innovative applications for the Lina series. We challenge you to find even more!

A Sound Investment

Components of the highest possible quality are used for the production of the Lina Track, without any compromise. Unlike many other suppliers on the market who only claim to do so, **CLS actually produces its fixtures in The Netherlands**. CLS belongs to a group of companies with more than 30 years of expertise in the professional lighting business.

Measurements Lina Track Series



Technical Specifications

LED:	Luxeon	
Available colours:	RP :	CRI 80: 4000K & 5000K CRI 92: 2700K & 3000K
	HP :	CRI 83: 2700K, 3000K & 4000K CRI 95: On request (moq)
Power supply:	100 - 240 VAC	
Power consumption:	RP 55 cm :	Max. 12 Watt
	RP 80 cm :	Max. 18 Watt
	RP 105 cm :	Max. 24 Watt
	HP 55 cm :	Max. 16 Watt
	HP 80 cm :	Max. 24 Watt
	HP 105 cm :	Max. 32 Watt
Housing:	Blank anodised aluminium, black anodised aluminium or white coated	
Swivel:	360° horizontal, 180° vertical	
Beam angle:	RP :	120°
	HP :	14°, 16°, 30°, 42°, 120° & 36° x 14°
IP value:	IP20	
Ambient temperature:	-10 °C till 40 °C	

Icons

