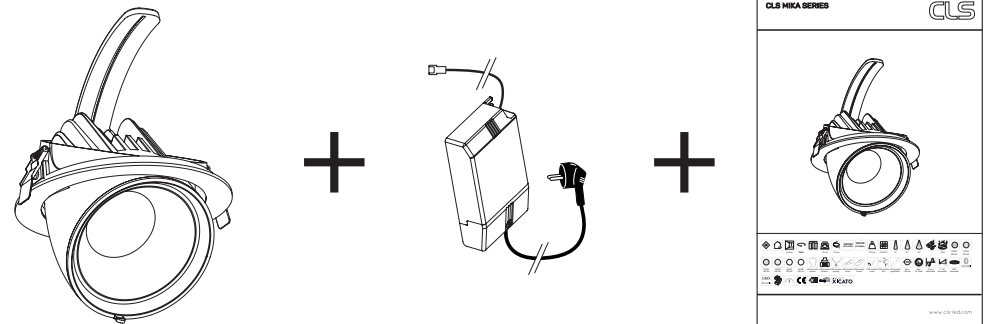


Index	2	Wiring diagram LDC-41 GIII	5
Safety information	2	Wiring diagram uni non dim driver	6
Content	2	Wiring diagram uni Casambi driver	6
Technical	3	Wiring of the LDC-407	7
Specifications	3	Programming table	8
Accessories	3	Wiring diagram Uni DALI driver	9
Installation	4	List of symbols	10
Reflector replacement	5		

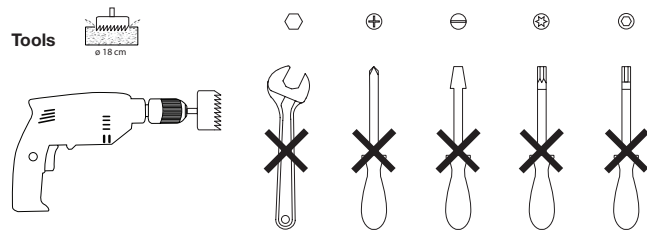
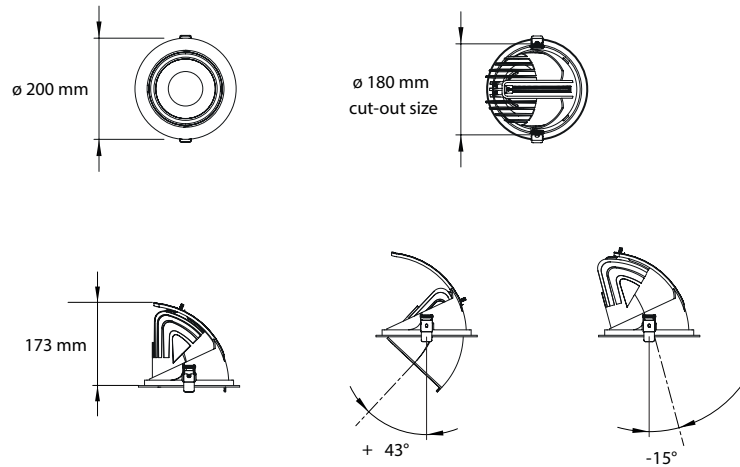
SAFETY INFORMATION

<p>Always switch off mains power of the driver before connecting or maintaining any fixtures!</p>	<p>Make sure all connectors are connected properly</p>	<p>Use a source of AC power that complies to local electrical codes</p>	<p>Block access below the work area when maintaining the unit</p>	<p>Don't modify or install genuine parts on this product</p>	<p>Ambiance Max. 40°</p>	<p>Qualified technician</p>
	<p>Do not stare into the LED</p>	<p>Don't install in a flammable or explosive area</p>	<p>Warning! Some surfaces can be hot</p>			

CONTENT



	Ceiling	2322m	18 cm	150 cm	DRIVER INCLUDED	DRIVER EXTERNAL	1325 gr	50.000 h	19°	37°	63°	IP40	2500K CRI>80	2700K CRI>80			
2700K CRI>90	3000K CRI>90	4000K CRI>80	4000K CRI>90	LED module clothes	LED module kitchen	LED module jewelry	LED module shoes	LED module bread	LED module meat	LED module fish	LED module vegetables	Max. 700 mA	Max. 30 Watt	Phase dimmable	1-10V dimmable	DALI dimmable	CAS-MBI
DMX dimmable					LIGHTSOURCE BY XICATO												



SPECIFICATIONS

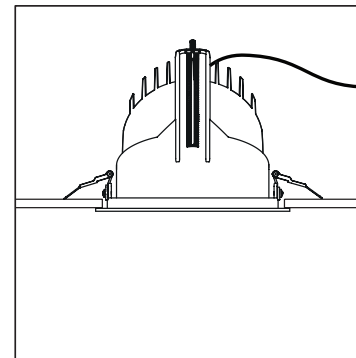
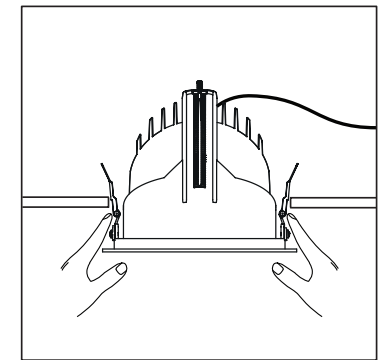
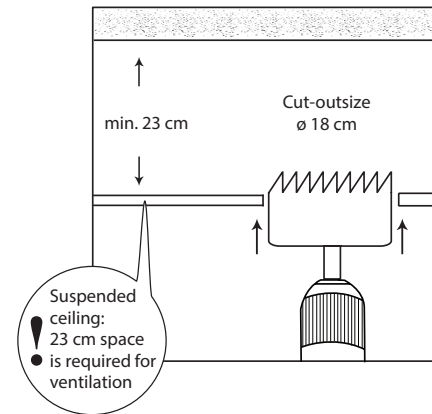
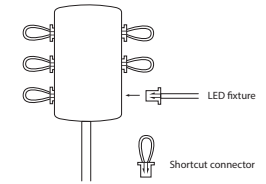
LED: High Power LED
 Available colours: CRI 80: 2500K, 2700K & 4000K
 CRI 90: 2700K, 3000K & 4000K
 Clothes, furniture, kitchen, jewelry, shoes, bread, meat, fish, vegetables & fruit
 Beam angle: 19° , 37° or 63°
 Power supply: Max. 700 mA
 Power consumption: Max. 30 Watt
 Housing: Black, or white coated aluminium, Black PC (PC-ABS V0)
 Weight: 1325 gram
 Cable length: 150 cm
 IP value: IP20
 Measurements: 173 x 200 mm (hxe)
 Ambient temperature: -10° C till $+40^\circ$ C

ACCESSORIES

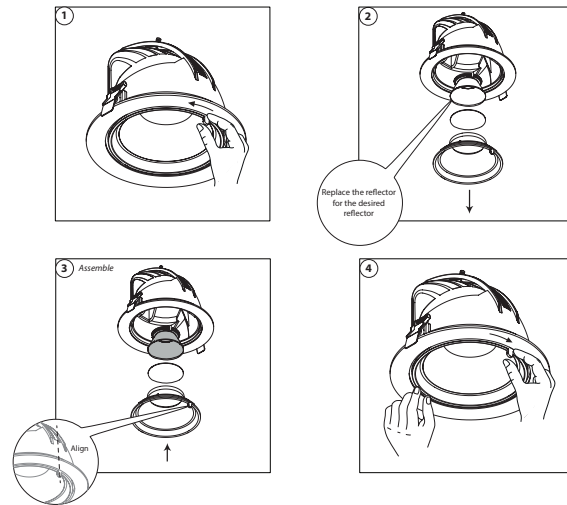
113002 CLS LDC-41 GIII DMX LED dimmer 4 channels
 113005 CLS LDC-407 DMX 1-4 channel 700mA LED driver
 122200 CLS D-ta DMX addresser unit
 87129900 CLS SmartConnect 2-fold junction box & shortcircuit connect.
 87129915 CLS SmartConnect short circuit plugs (10pcs)
 87129959 CLS SmartConnect extensioncable betw. 2 junctionboxes 5mtr
 911367 CLS LDC Connection Block to SmartConnect system

Before use, read this carefully

- > Always disconnect the power before connecting the LED fixtures otherwise this will cause **serious damage!**
- > Make sure the unused outputs has been shorted with a shortcut connector before connecting the power.
- > Before use please check the correct dipswitch setting. (See sticker on the driver)
- > The driver must be set to **700mA**.

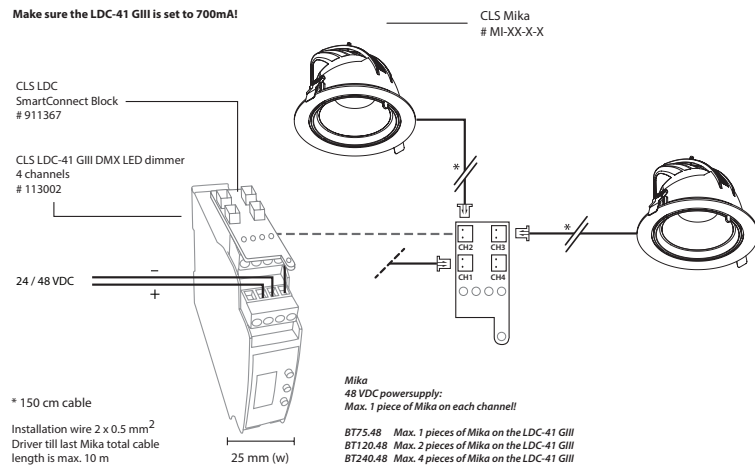


REFLECTOR REPLACEMENT



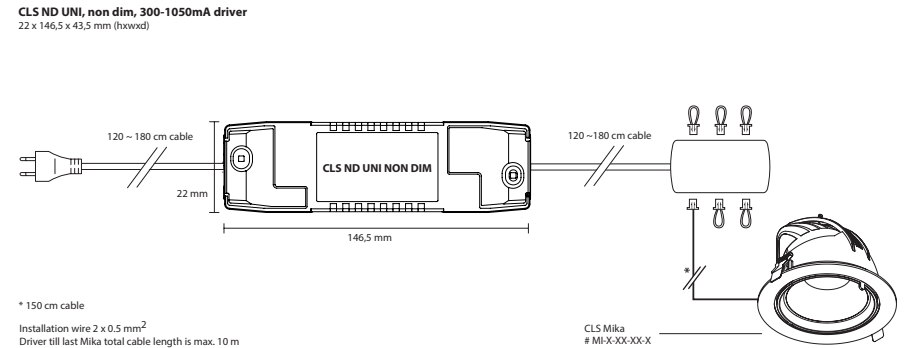
WIRING DIAGRAM LDC-41 GIII

! Always switch off mains power of the driver before connecting any fixtures!

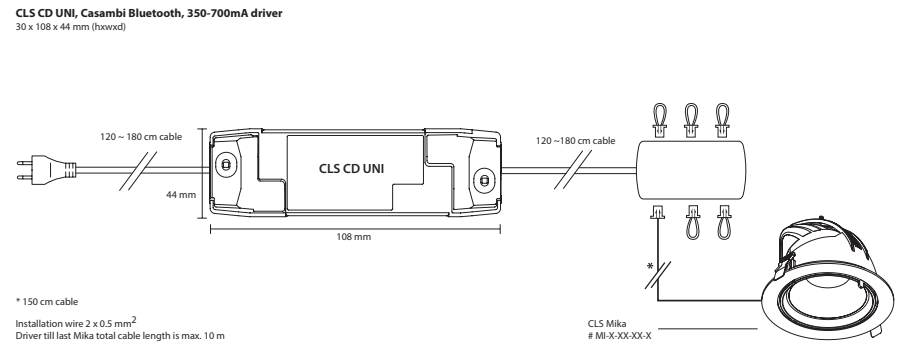


WIRING DIAGRAM UNI NON DIM DRIVER

! Always switch off mains power of the driver before connecting any fixtures!

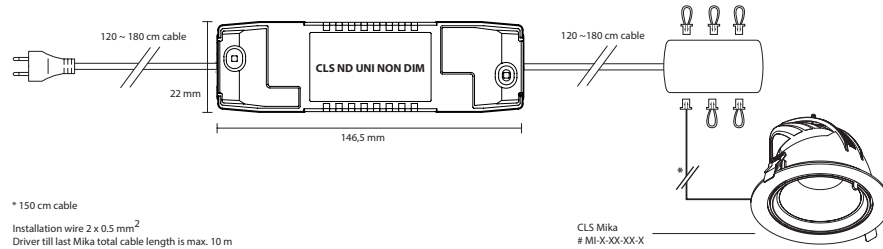


WIRING DIAGRAM CASAMBI BLUETOOTH DRIVER



! Always switch off mains power of the driver before connecting any fixtures!

CLS ND UNI, non dim, 300-1050mA driver
22 x 146,5 x 43,5 mm (hxcxwd)



2024 CLS-LED BV. All rights reserved. Information subject to change without notice, CLS-LED BV and all affiliated companies disclaim liability for injury, damage direct or indirect loss, consequential or economic loss or any other loss occasioned by the use of, inability to use or reliance on the information contained in this manual. No part of this manual may be reproduced, in any form or by any means, without permission in writing from CLS-LED BV. Other legal information can be found in our General conditions, found on the back of your CLS-LED BV invoice, inside the CLS catalogue or on our website www.cls-led.com/General-Terms.pdf

	Protection class One, two or three		Retail & Food LED modules Clothing, furniture, kitchens, jewellery, shoes, bread, meat, fish and vegetables & fruit.
	Application area Indoor or outdoor		Colour Available colours: Amber, blue, red or green
	Application area Floor, wall or ceiling		White colour temperature In different Kelvin values, Cold white, neutral white, warm white or extra warm white
	Swivel Fixture is horizontally rotatable, indicated in degrees		Curve Minimal bending curve in centimeters
	Swivel Fixture is vertically rotatable, indicated in degrees		Cutting length Indicated by the cutting marks
	Multiple connection Daisychain connectivity		LED pitch Pitch between the LEDs in millimeters
	Installation depth In centimeters		Power supply In VDC, VAC or millAmpere
	Installation size In centimeters		Power consumption In VA or Watt
	Cable length Maximum cable attached to the fixture in centimeters		Dimmable 1-10 Volt, Phase, individual, DMX dimmable or DALI
	Driver Inclusive or exclusive Internal or external		PWM dimming Traditional PWM dimming, DMX analog or DMX Hybrid dim
	Weight In grams/kilograms		Bluetooth controlled By Casambi
	Pressure Maximum pressure on the fixture in kg/cm ²		Magne dimming Accurate dimming from 100 - 1% by using a magnet
	Lifespan Of the light source in hours		Dynamic Control Dynamic Power Control or Dynamic Temperature Control
	Lenses Available lenses, indicated in degrees		DMX input Fixture works on DMX512 protocol or Wireless DMX
	Performance Zoom Adjustable beam angle		Combined product Compose your own fixture
	LEDs Kind of LED used in the fixture		Warranty 3 or 5 years warranty on the product
	Plug & play Easy connection using the SmartConnect system		Conformité Européenne CE marking for free marketability of industrial goods within the EU
	IP value Ingress Protection classifies the degrees of protection provided against the intrusion of the product		Energy label
	Colour changing RGB, RGB-W, RGB-A, AWB or Tunable White		Lights source Equipped with a CLS, Bridgelux or a Xicato LED module