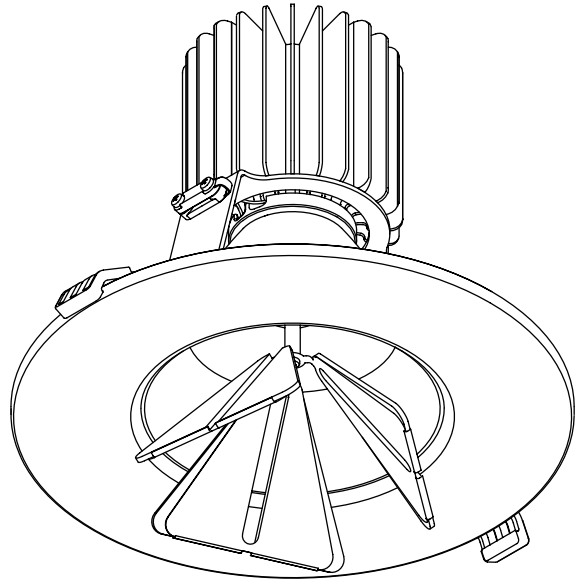


Index	2	Mirror assembly	5
Safety information	2	Wiring diagram non dim driver	6
Content	2	Wiring diagram LDC-41-GIII	7
Technical	3	Accessories	7
Specifications	3	List of symbols	8
Installation	4		



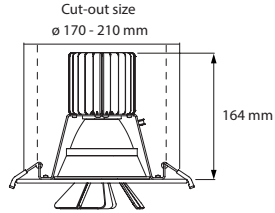
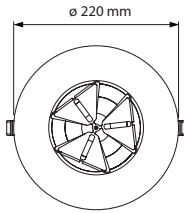
SAFETY INFORMATION

<p>Always switch off mains power of the driver before connecting or maintaining any fixtures!</p>	<p>Make sure all connectors are connected properly</p>	<p>Use a source of AC power that complies with local electrical codes</p>	<p>Block access below the work area when maintaining the unit</p>	<p>Do not stare into the LED</p>	<p>Ambiance Max. 40°</p>	<p>Qualified technician</p>
	<p>Don't modify or install genuine parts on this product</p>	<p>Don't install in a flammable or explosive area</p>	<p>Warning! Some surfaces can be hot</p>			

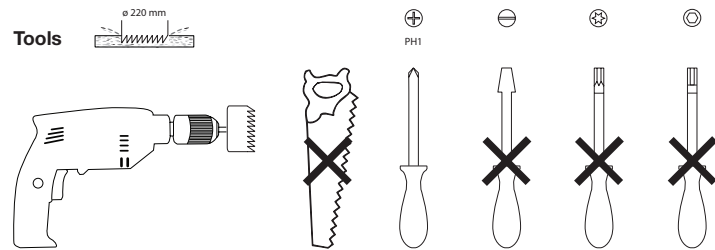
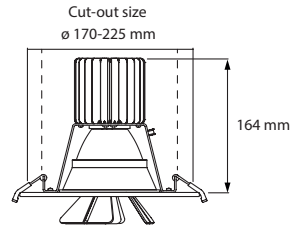
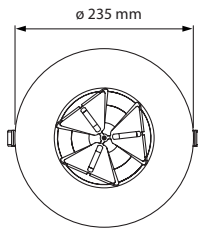
CONTENT

2700K CRI>80	2700K CRI>90	2700K CRI>95	3000K CRI>80	3000K CRI>90	3000K CRI>95	4000K CRI>80	4000K CRI>90	4000K CRI>95	Max. 1050 mA	Max. 37 Watt	Max. 55 Watt	Phase dimmable	1-10V dimmable	DMX dimmable	Watt CAS-MBI

Otis M



Otis LM - XL



Specifications

LED: 1 x Citizen
 Available colours: CRI>80: 2700K, 3000K & 4000K
 CRI>90: 2500K, 2700K, 3000K & 4000K
 CRI>95: 2700K, 3000K & 4000K

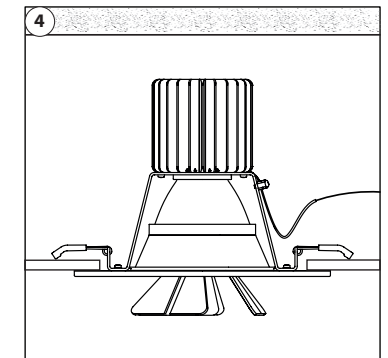
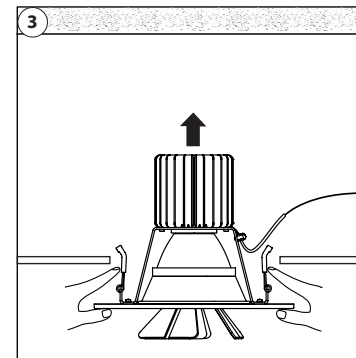
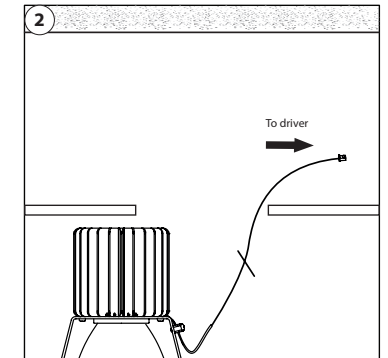
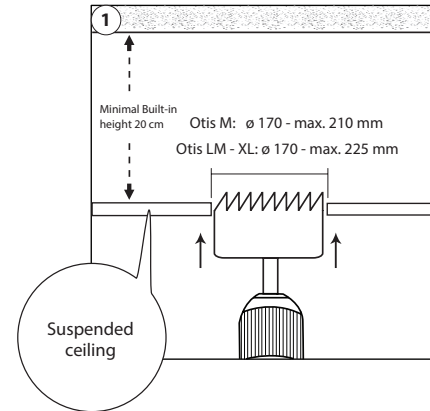
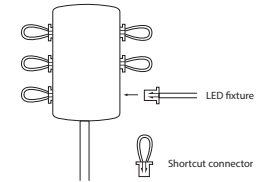
Beam angle: 15°, 30° or 50°
 Power supply: Max. 1050mA
 Power consumption: Otis: max. 37 Watt
 Otis XL: max. 55 Watt

Housing: PC / aluminium
 Weight: 1400 gr
 IP value: IP20
 Ambient temperature: -10° C till +40° C

2021 CLS-LED BV. All rights reserved. Information subject to change without notice. CLS-LED BV and all affiliated companies disclaim liability for injury, damage direct or indirect loss, consequential or economic loss or any other loss occasioned by the use of, inability to use or reliance on the information contained in this manual. No part of this manual may be reproduced, in any form or by any means, without permission in writing from CLS-LED BV. Other legal information can be found in our General conditions, found on the back of your CLS-LED BV invoice, inside the CLS catalogue or on our website www.cls-led.com/General-Terms.pdf

Before use, read this carefully

- > Always disconnect the power before connecting the LED fixtures otherwise this will cause **serious damage!**
- > Make sure the unused outputs has been shorted with a shortcut connector before connecting the power.
- > Before use please check the correct dipswitch setting. (See sticker on the driver)
- > The driver must be set to 1050mA.

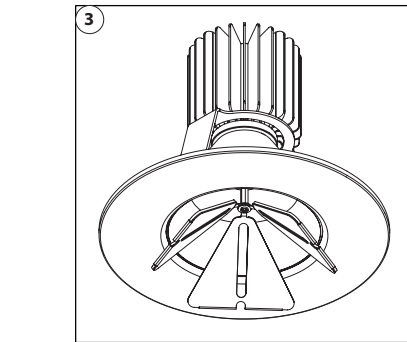
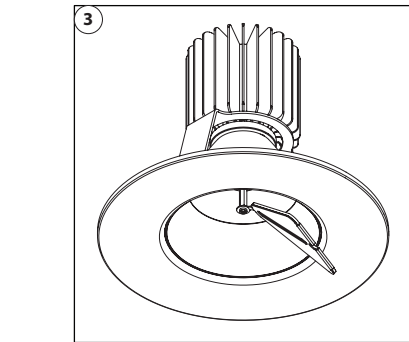
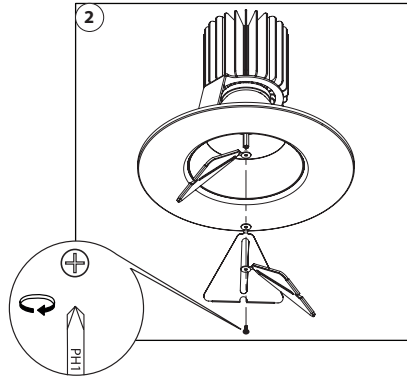
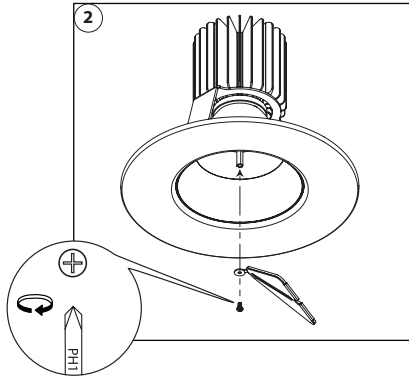
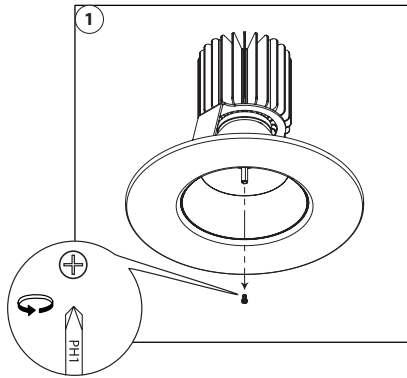
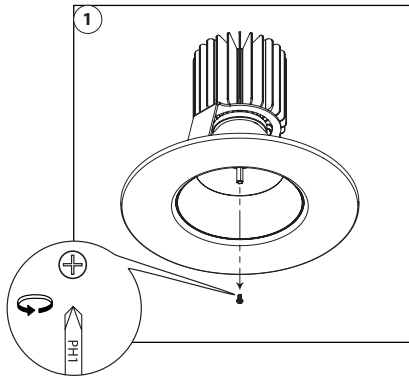


MIRROR ASSEMBLY

WIRING DIAGRAM NON DIM DRIVER

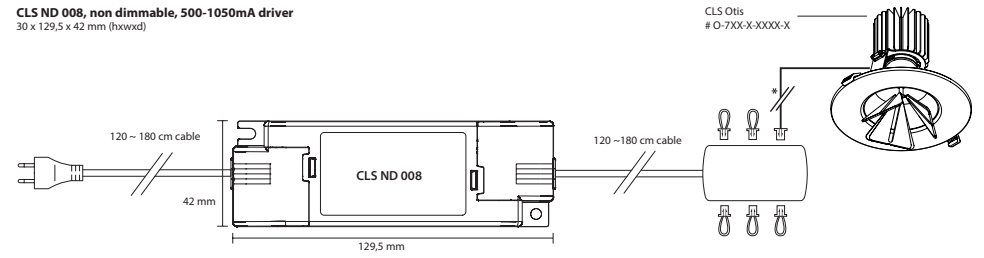
Example I

Example II



! Always switch off mains power of the driver before connecting any fixtures!

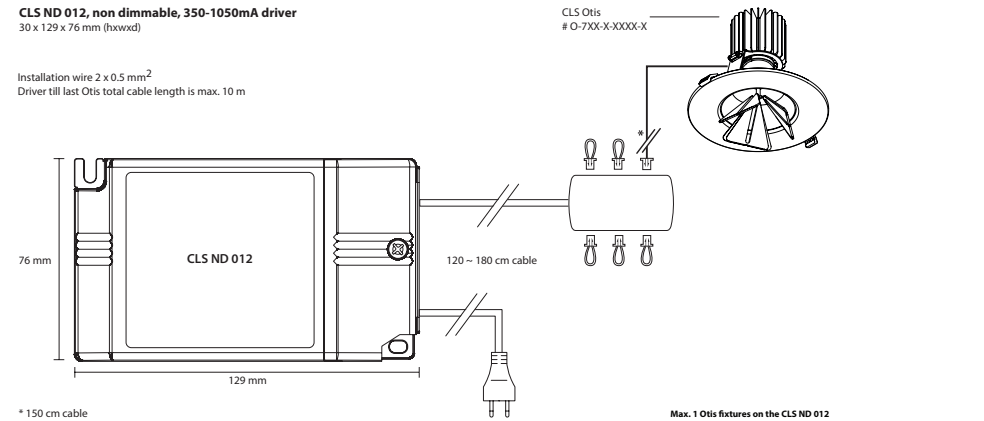
CLS ND 008, non dimmable, 500-1050mA driver
30 x 129,5 x 42 mm (h x w x d)



* 150 cm cable
Installation wire 2 x 0.5 mm²
Driver till last Otis total cable length is max. 10 m

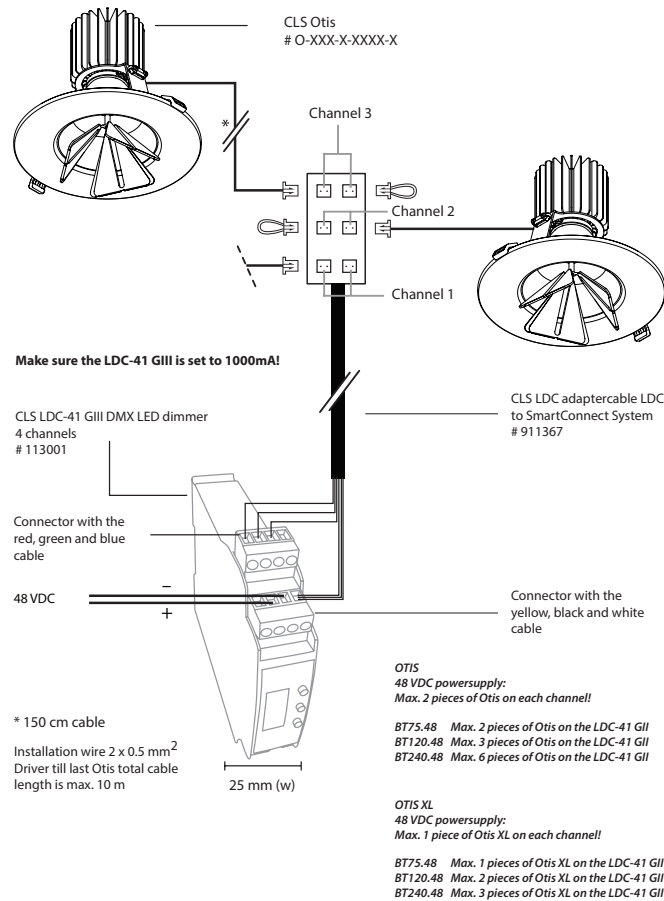
Max. 1 Otis fixture on the CLS ND 008

CLS ND 012, non dimmable, 350-1050mA driver
30 x 129 x 76 mm (h x w x d)



Installation wire 2 x 0.5 mm²
Driver till last Otis total cable length is max. 10 m

Max. 1 Otis fixtures on the CLS ND 012



ACCESSORIES

113000	CLS LDC-41 DMX LED dimmer 4 channels 0.35-1A per channel
87129900	CLS SmartConnect 2-fold junction box & shortcircuit connect.
87129905	CLS SmartConnect, 6-fold junctionbox & shortcircuit connect.
87129915	CLS SmartConnect short circuit plugs (10pcs)
87129959	CLS SmartConnect extensioncable betw. 2 junctionboxes 5mtr
874008	CLS ND 008 non dim, 198 - 264 V, 500-1050mA driver
874012	CLS ND 012 non dim, 198 - 264 V, 350-1050mA driver
911367	CLS LDC adaptercable LDC to SmartConnect system
707018	CLS BT75.48 LED power supply 48VDC, 75VA, 85-265 VAC
707019	CLS BT120.48 LED power supply 48VDC, 120VA, 85-265 VAC
707020	CLS BT240.48 LED power supply 48VDC, 240VA, 85-265 VAC

	Protection class One, two or three		Retail & Food LED modules Clothing, furniture, kitchens, jewellery, shoes, bread, meat, fish and vegetables & fruit.
	Application area Indoor or outdoor		Colour Available colours: Amber, blue, red or green
	Application area Floor, wall or ceiling		White colour temperature In different Kelvin values: Cold white, neutral white, warm white or extra warm white
	Swivel Fixture is horizontally rotatable, indicated in degrees		Curve Minimal bending curve in centimeters
	Swivel Fixture is vertically rotatable, indicated in degrees		Cutting length Indicated by the cutting marks
	Multiple connection Daisychain connectivity		LED pitch Pitch between the LEDs in millimeters
	Installation depth In centimeters		Power supply In VDC, VAC or milliAmpere
	Installation size In centimeters		Power consumption In VA or Watt
	Cable length Maximum cable attached to the fixture in centimeters		Dimmable 1-10 Volt, Phase, individual, DMX dimmable or DALI
	Driver Inclusive or exclusive Internal or external		PWM dimming Traditional PWM dimming, DMX analog or DMX Hybrid dim
	Weight In grams/kilograms		DMX dimming DMX dimmable or DALI
	Pressure Maximum pressure on the fixture in kg/cm ²		Bluetooth controlled By Casambi
	Lifespan Of the light source in hours		Magno dimming Accurate dimming from 100 - 1% by using a magnet
	Lenses Available lenses, indicated in degrees		Dynamic Control Dynamic Power Control or Dynamic Temperature Control
	Performance Zoom Adjustable beam angle		DMX input Fixture works on DMX512 protocol or Wireless DMX
	LEDs Kind of LED used in the fixture		Combined product Compose your own fixture
	Plug & play Easy connection using the SmartConnect system		Warranty 3 or 5 years warranty on the product
	IP value Ingress Protection classifies the degrees of protection provided against the intrusion of the product		Conformité Européenne CE marking for free marketability of industrial goods within the EU
	Colour changing RGB, RGB-W, RGB-A, AWB or Tunable White		Energy label
			Lightsources Equipped with a CLS, Citizen or a Xicato LED module