

Quartz

Outdoor IP67 Series



> Quartz Outdoor IP67 Series

CLS Quartz Outdoor IP67 Series

The Quartz Series represents all CLS core values: innovative design, high quality and optimum functionality in compact dimensions.

The Quartz is the answer to the demands of many lighting designers and architects worldwide. The Revo Series has been used in thousands of projects worldwide over the past decade. For certain applications there was a need among designers for an even more powerful variant for illuminating the very largest objects such as tall apartment buildings, large bridges and other objects/structures with a height of more than 25 metres.

Wide Choice Of Versions

A huge variety of versions is available within the same design form, allowing almost any project to be completed with the same design form. More than 800 variants are possible. You can configure your own fixtures within 30 seconds using our unique product configurator. The possibilities for creating the perfect lighting plan have therefore increased enormously.

With a choice of six optics, six different light colours and dynamic colour versions, four different control options and the possibility to link multiple fixtures, the possibilities are endless. Offering a lumen output up to 8500 lumens for just a single fixture, combined with the wide choice of optics, including a narrow defined 8° beam, the Quartz can cover distances of up to 60 metres.

Of particular interest is the possibility of combining the Quartz with fixture variants of the Revo Series, as in both fixture series the light colours, beam angles and control methods are compatible.



Revo XL & XXL Series



Revo Compact Series

Extreme Light Efficiency

Despite its compact dimensions, the effective light output is extremely high. This is the result of using the latest generation of High Power LEDs combined with high-quality optics.



Large Choice Of Control Options

- > With the CLS **Magno system**, intensity levels can be adjusted per fixture without using external control devices and no additional cabling is required. By simply holding a magnet against the fixture's sensor, a dimming value can be set and stored in the fixture's internal memory module within seconds.
- > The **DMX** versions feature in-house developed hardware and software. Both have interesting adjustment options in terms of dimming methods and range.
- > CLS uses **Wireless DMX**, the proven technology of Wireless Solution from Sweden. Various antenna characteristics are possible for the right signal amplification. *(On-site testing before final installation is always advised).*
- > **Casambi**, all versions in the Quartz series can be equipped with Casambi Bluetooth control technology.



Wide Choice of Beam Angles

The Quartz offers you a choice of no less than six different beam angles, varying from an extremely narrow beam of 8° for lighting columns to an extra-wide flood beam of 80° for lighting larger areas at a short distance. Elliptical lenses (12 x 46°) are available as well.



8°



12°



30°



60°



80°



12 x 46°

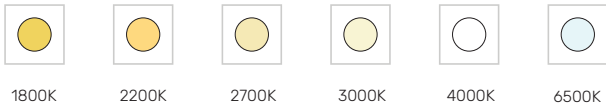


> Quartz Outdoor IP67 Series

Large Choice Of Basic Colours

The Quartz offers a wide choice of available light colours. Standard configurations can be equipped with up to four different colour temperatures and several basic colours.

In addition, various combinations of different LED colours are available on request. For example, by combining amber and white, very warm white colour temperatures (2300K) can be created. Other specific combinations are subject to minimum order quantities; please contact your CLS distributor for more information.



*1800K & 2200K versions available by Q3 2023

Tunable White Versions

The Quartz is available in no less than three Tunable White versions:

- > 1800K-3000K
- > 1800K-4000K
- > 2700K-6500K



Colour-Changing Versions

The Quartz ColourFlow versions are available in:

- > RGBW For creating subtle colours and pastel shades.
- > RGBA For creating deep saturated colours.

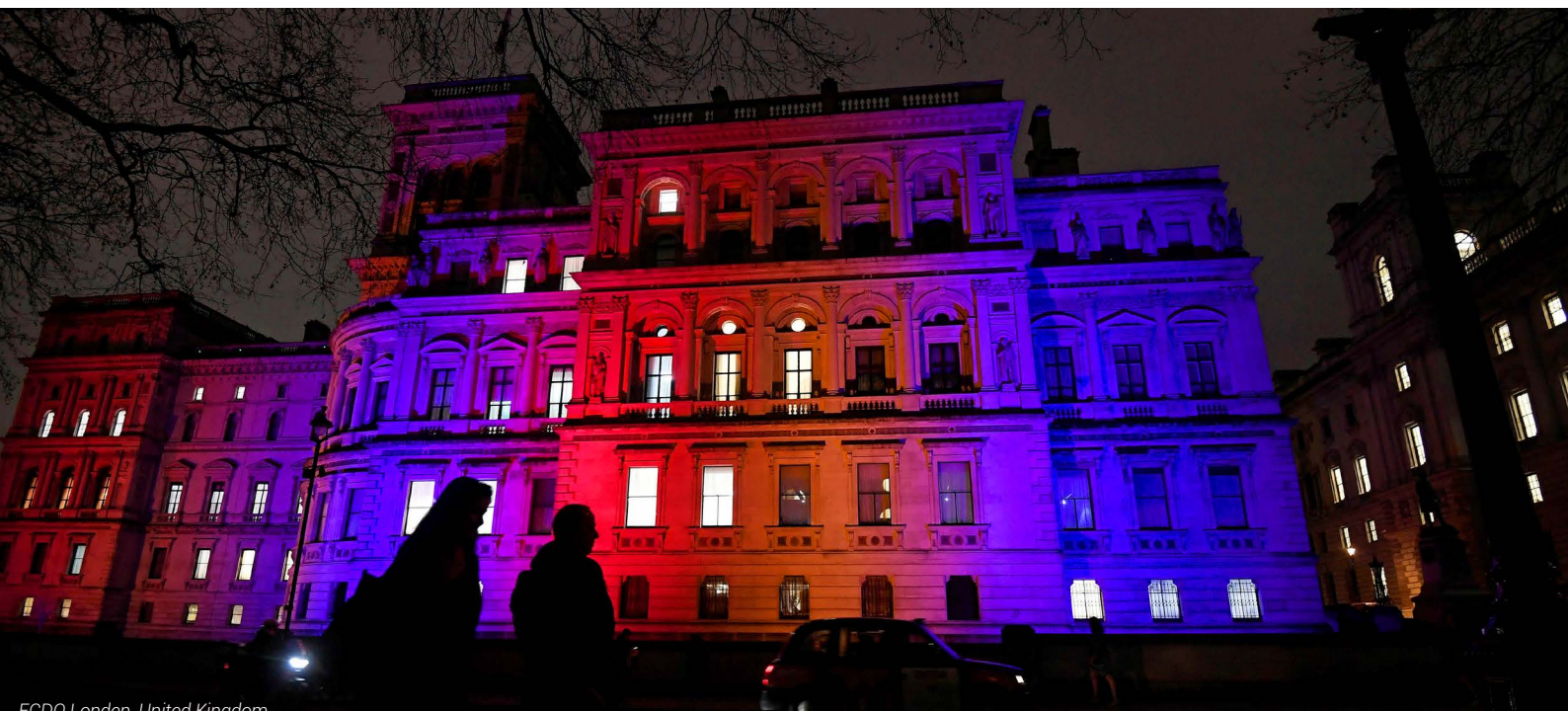


Dynamic Power Control

The Dynamic Power Control functionality (DPC) increases the effective light output for the ColourFlow and Tunable White versions by as much as 50%!!! For the technical explanation of this technology, please contact your local CLS distributor, who will be happy to explain how this CLS technology works.

**DYNAMIC
POWER
CONTROL**

ColourFlow[®]





Resistant To Extreme Weather Conditions

The Quartz housing is CNC machined from a solid block of aluminium, after which it is anodised for optimum protection against moisture, salt and sand.

Sudden changes in temperature, for example caused by irrigation systems or the difference between night and daytime ambient temperatures, can result in condensation in LED fixtures. To prevent this, each Quartz is equipped with a Gore-Tex membrane in the cable gland, minimising condensation.

All the technology in the Quartz, from solid CNC milling to industrial anodising and anti-condensation glands, is based on the proven technology of the Revo series, of which tens of thousands of which have been installed on projects worldwide under the most extreme weather conditions.

Optional Glare Reduction Via Integrated Honeycomb Louvre

To prevent unwanted glare, it is possible to have the Quartz fitted with a honeycomb accessory. We recommend having this fitted at the CLS factory immediately when ordering. Improper retrofitting can increase the risk of moisture problems.



Castle Wijchen, The Netherlands / LightTwist Projectlighting



Ondernemingshuis Enschede, The Netherlands



De Pijp, Groningen The Netherlands / Lichtpunt Theatertechniek

Optimal Integration With The Environment

Quartz fixtures are available in a blank- or black anodised aluminium finish as standard. Other colour finishes are available on request and subject to minimum order quantities.



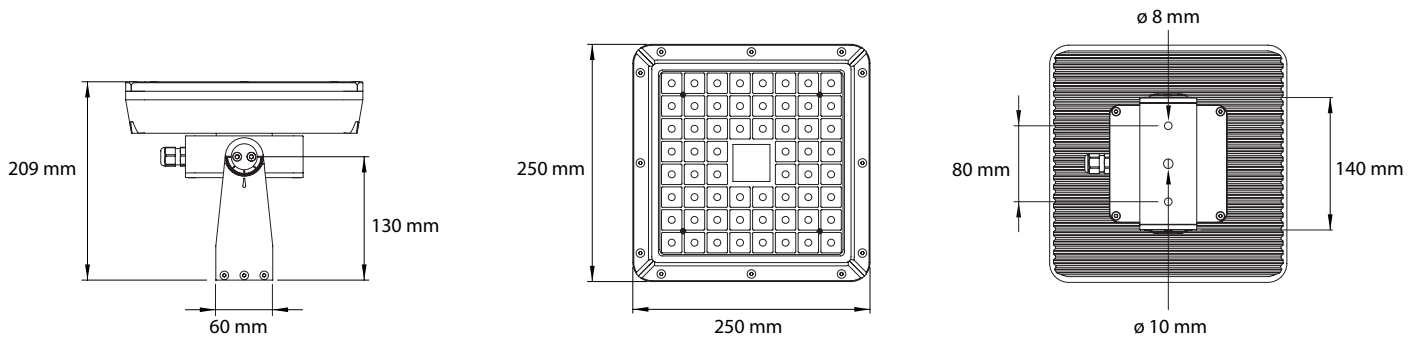
Kasteel Hoensbroek



A Sound Investment

Components of the highest possible quality are used for the production of the Quartz Series, without compromise. Even if service is required after years of problem-free use, all individual parts can easily be replaced in a matter of minutes. Unlike many other suppliers on the market who only claim to do so, CLS actually **designs and produces its fixtures in the Netherlands**. CLS belongs to a group of companies with more than 35 years of expertise in the professional lighting industry. This provides additional reassurance for years to come.

Measurements Quartz



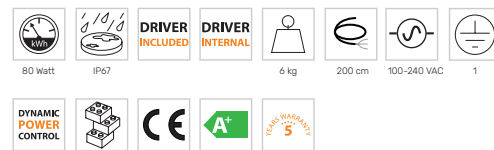
Technical specifications

LED:	Bridgelux & Luxeon
Available colours:	2700K, 3000K, 4000K & 6500K White Light
Colour changing:	RGBA, RGBW & AWB
Tunable White:	1800K-3000K, 1800K-4000K & 2700-6500K <small>(1800K & 2200K versions available by Q3 2023)</small>
Lenses:	8°, 12°, 30°, 61°, 80° & 12x46°
Power supply:	100 - 240 VAC
Power consumption:	80 Watt
Weight:	6 kg
Housing:	Anodised aluminium
IP-value:	IP67
Cabel length:	200 cm
Ambient temperature:	-20 o C tot +50 o C

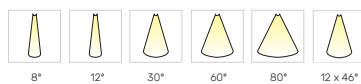
Colour & colour temperatures



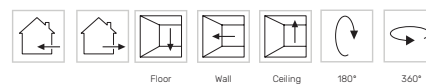
General specifications



Optics



Mounting options



Housing & finish



Control options

