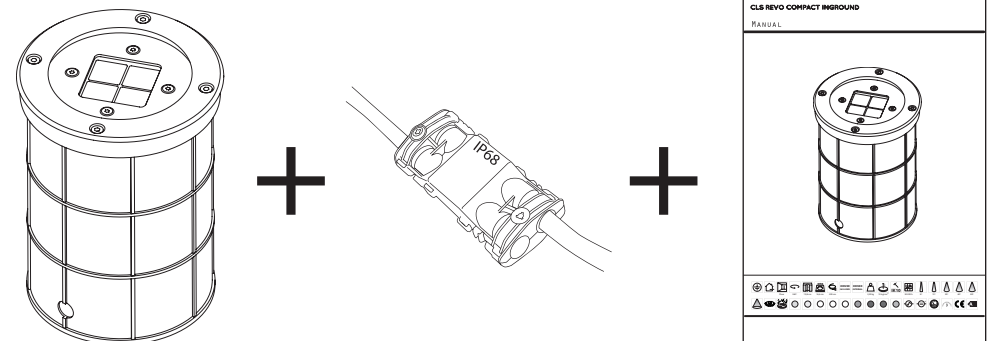


Index	2	Installation	4
Safety information	2	Lens replacement	5
Content	2	Flooding	6
Technical	3	Lens index	7
Specifications	3	List of symbols	8

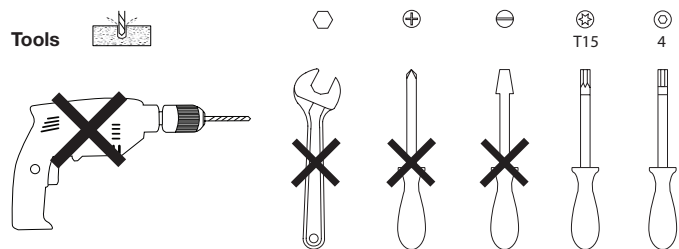
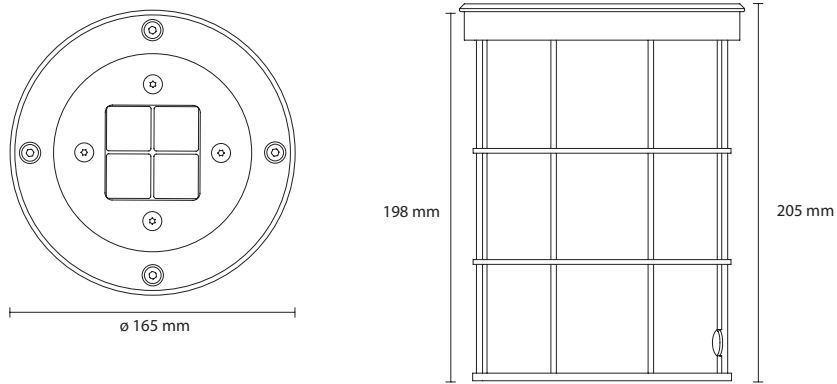
SAFETY INFORMATION

Make sure all connectors are connected properly	Use a source of AC power that complies local electrical codes	Block access below the work area when maintaining the unit	Don't modify or install genuine parts on this product	Don't install in a flammable or explosive area	

CONTENT



12 x 46°	4 x High Power	IP67	2700K	3000K	4000K	5000K	6500K	Amber	Blue	Red	Green	180 - 264 VAC	24 VDC	Max. 10 Watt			



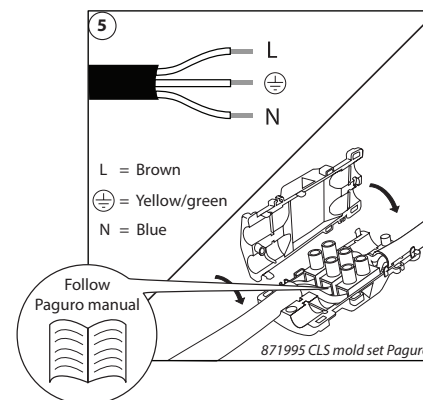
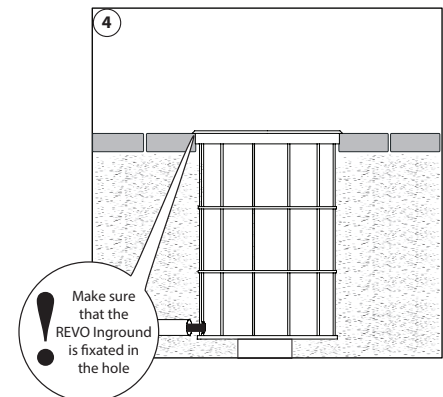
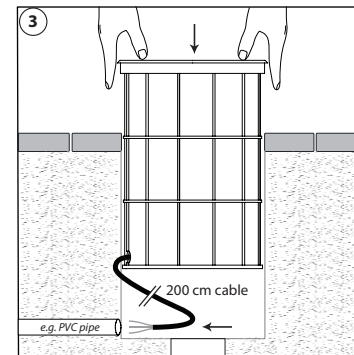
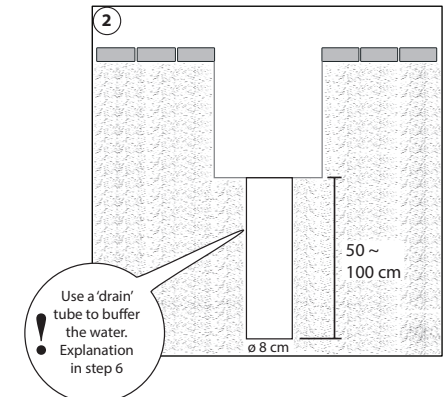
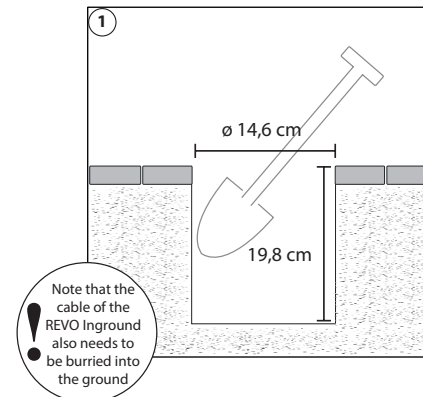
### SPECIFICATIONS

LED: 4 x High power LED  
 Available colours: 2700K, 3000K, 4000K, 5000K, 6500K  
 amber, blue, red & green  
 Lenses: 8°, 12°, 30°, 61°, 80° and 12x46°  
 Power supply: 180 – 264 VAC or 24 VDC  
 Power factor: > 0.90  
 Power consumption: Max. 10 Watt  
 Housing: Coated aluminum / plastic sleeve  
 Weight: 2.15 kg  
 IP value: IP67  
 IK value: IK10  
 Cable length: 2 meter  
 Measurements: 205 x 165 mm (h x  $\phi$ )  
 Ambient temperature: -20° C till +50° C

### ACCESSORIES

871992 CLS mold set, straight 8-26mm  
 871995 CLS mold set Paguro grey

2021 CLS-LED BV. All rights reserved. Information subject to change without notice, CLS-LED BV and all affiliated companies disclaim liability for injury, damage direct or indirect loss, consequential or economic loss or any other loss occasioned by the use of, inability to use or reliance on the information contained in this manual. No part of this manual may be reproduced, in any form or by any means, without permission in writing from CLS-LED BV. Other legal information can be found in our General conditions, found on the back of your CLS-LED BV invoice, inside the CLS catalogue or on our website [www.cls-led.com/General-Terms.pdf](http://www.cls-led.com/General-Terms.pdf)



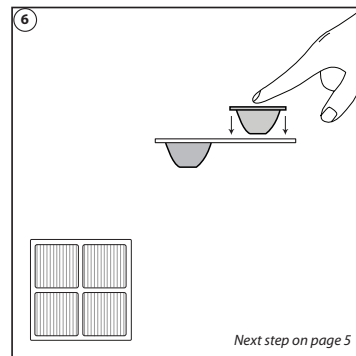
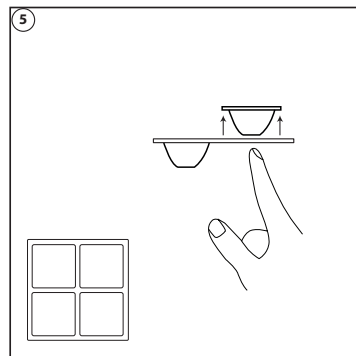
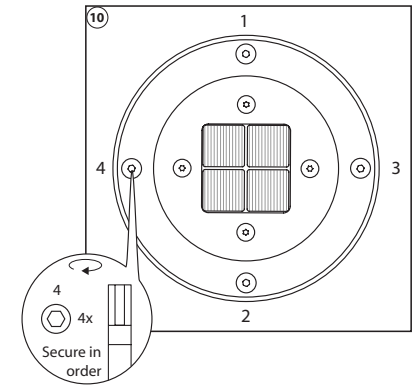
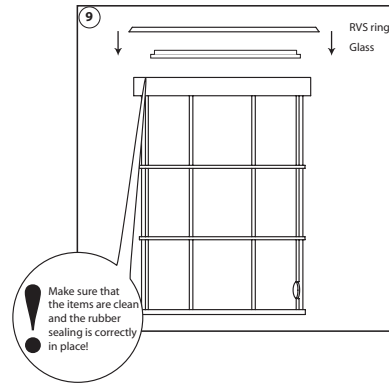
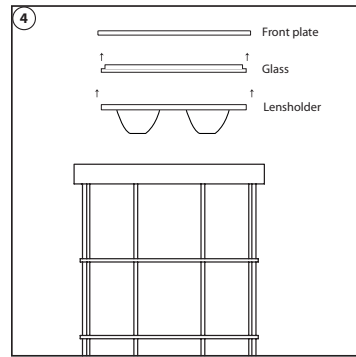
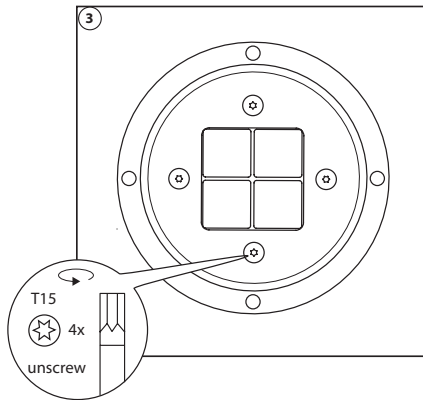
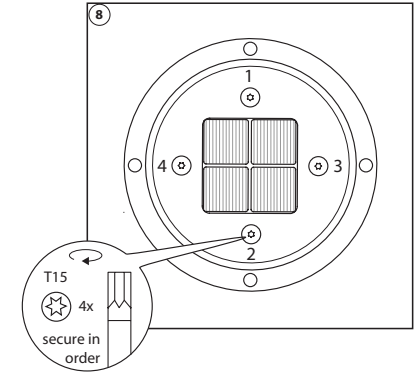
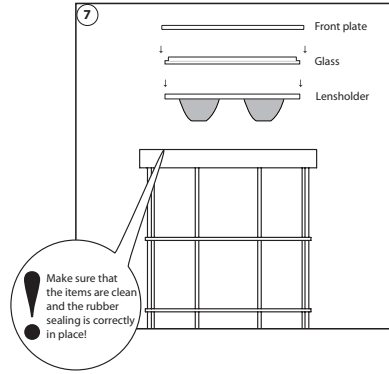
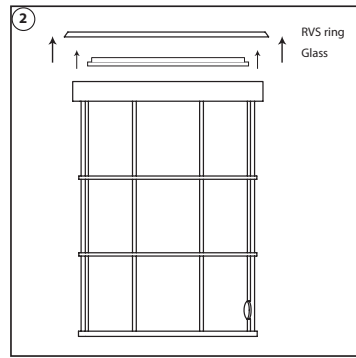
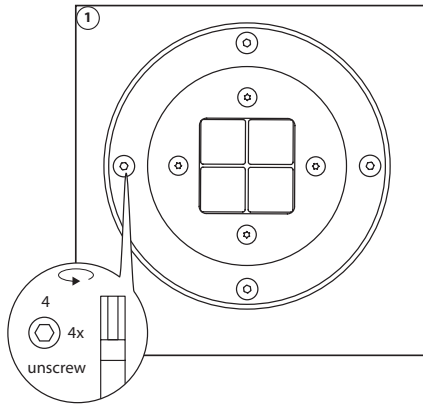
**6**

Drainage for inground fixtures is very important. Doing this in a correct way the fixtures will run for a long time, without maintenance and moisture problems.

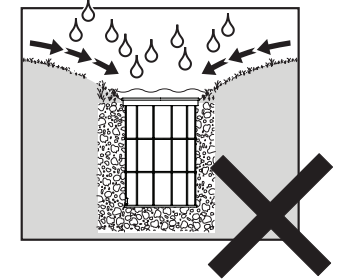
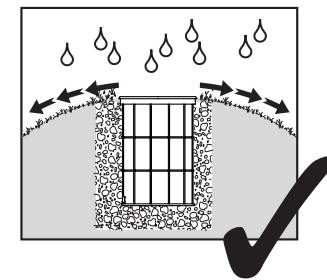
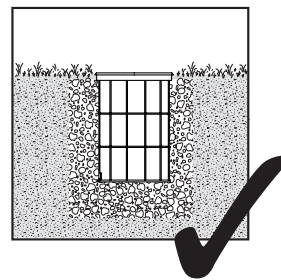
When the plastic tube is installed, run a quick test by pouring a bucket of water (+/- 5 liters) in the opening. Water should be gone within 1 minute. If it lasts longer you will get too much moisture in the fixture, which leads to condensation on the glass. If the water stands too long in the tube you need to enhance the drainage. A good method is to create a buffer. The buffer size depends on the quality of drainage.

CLS advises a tube of min.  $\phi 80$  mm with a length of 0,5 ~ 1 meter. Place this tube vertically under the fixture. The idea is to buffer the water and let it slowly drain into the soil.

# LENS REPLACEMENT

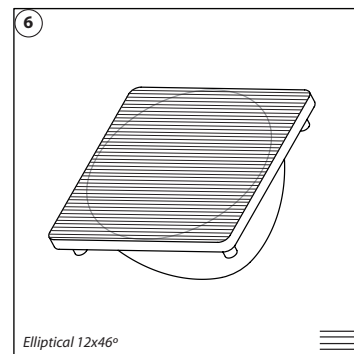
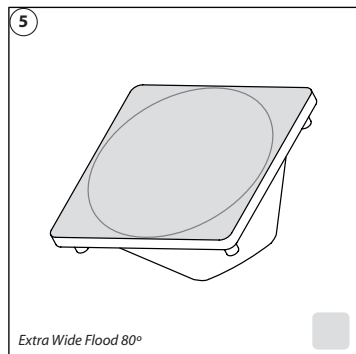
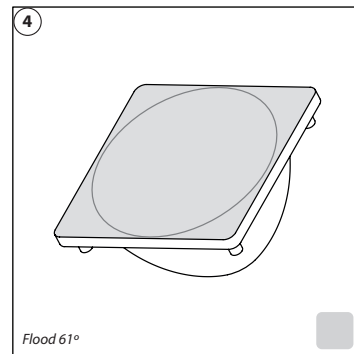
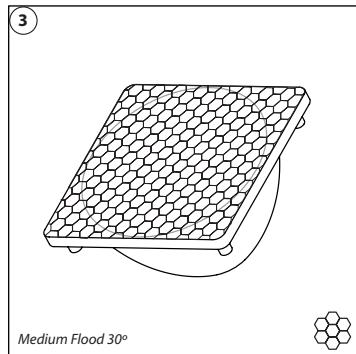
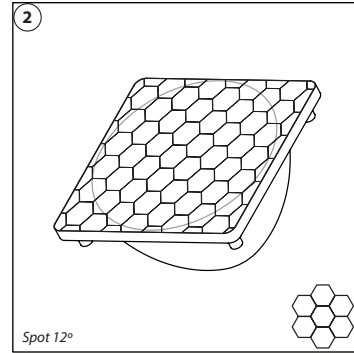
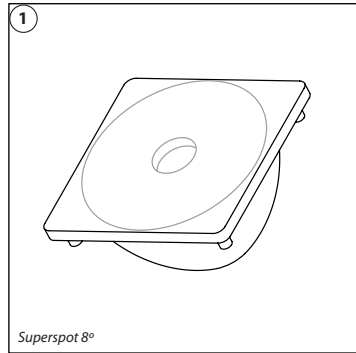


## FLOODING



# LENS INDEX

# LIST OF SYMBOLS



	<b>Protection class</b> One, two or three		<b>Retail &amp; Food LED modules</b> Clothing, furniture, kitchens, jewellery, shoes, bread, meat, fish & vegetables & fruit.
	<b>Application area</b> Indoor or outdoor		<b>Colour</b> Available colours: Amber, blue, red or green
	<b>Application area</b> Floor, wall or ceiling		<b>White colour temperature</b> In different Kelvin values: Cold white, neutral white, warm white or extra warm white
	<b>Swivel</b> Fixture is horizontally rotatable, indicated in degrees		<b>Curve</b> Minimal bending curve in centimeters
	<b>Swivel</b> Fixture is vertically rotatable, indicated in degrees		<b>Cutting length</b> Indicated by the cutting marks
	<b>Multiple connection</b> Daisychain connectivity		<b>LED pitch</b> Pitch between the LEDs in millimeters
	<b>Installation depth</b> In centimeters		<b>Power supply</b> In VDC, VAC or milliAmpere
	<b>Installation size</b> In centimeters		<b>Power consumption</b> In VA or Watt
	<b>Cable length</b> Maximum cable attached to the fixture in centimeters		<b>Dimmable</b> 1-10 Volt, Phase, individual, DMX dimmable or DALI
	<b>Driver</b> Inclusive or exclusive internal or external		<b>Bluetooth controlled</b> By Casambi
	<b>Weight</b> In grams/kilograms		<b>Magne dimming</b> Accurate dimming from 100 - 1% by using a magnet
	<b>Pressure</b> Maximum pressure on the fixture in kg/cm <sup>2</sup>		<b>Dynamic Control</b> Dynamic Power Control or Dynamic Temperature Control
	<b>Lifespan</b> Of the light source in hours		<b>DMX 512</b> Fixture works on DMX512 protocol
	<b>Lenses</b> Available lenses, indicated in degrees		<b>Combined product</b> Compose your own fixture
	<b>LEDs</b> Kind of LED used in the fixture		<b>Warranty</b> 3 or 5 years warranty on the product
	<b>Plug &amp; play</b> Easy connection using the SmartConnect system		<b>Conformité Européenne</b> CE marking for free marketability of industrial goods within the EU
	<b>IP value</b> Ingress Protection classifies the degrees of protection provided against the intrusion of the product		<b>Energy label</b>
	<b>Colour changing</b> RGB, RGB-W, RGB-A, AWB or Tunable White		<b>Lightsource</b> Equipped with a CLS, Citizen or Xicato LED module