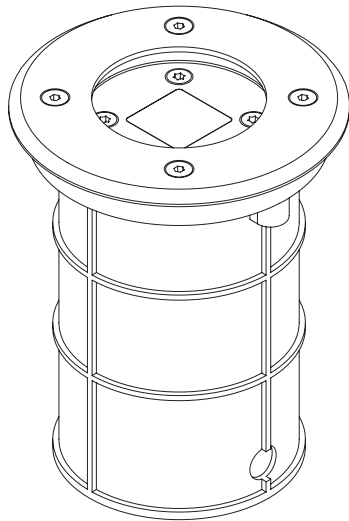
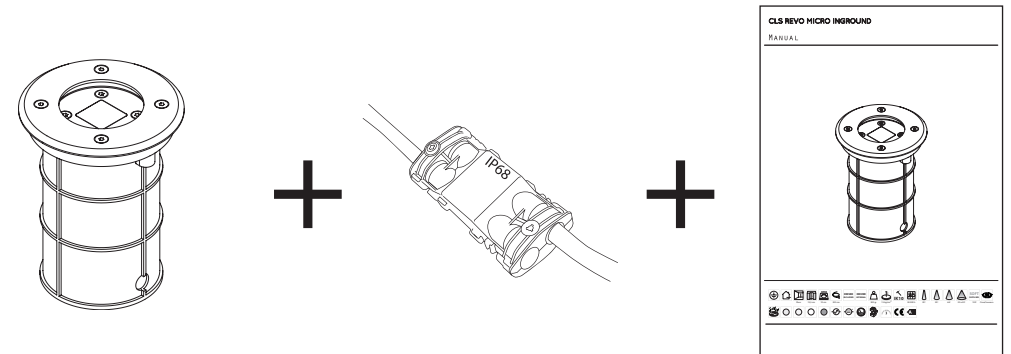


Index	2	Installation	4
Safety information	2	Lens replacement	5
Content	2	Flooding	6
Technical	3	Lens index	7
Specifications	3	List of symbols	8

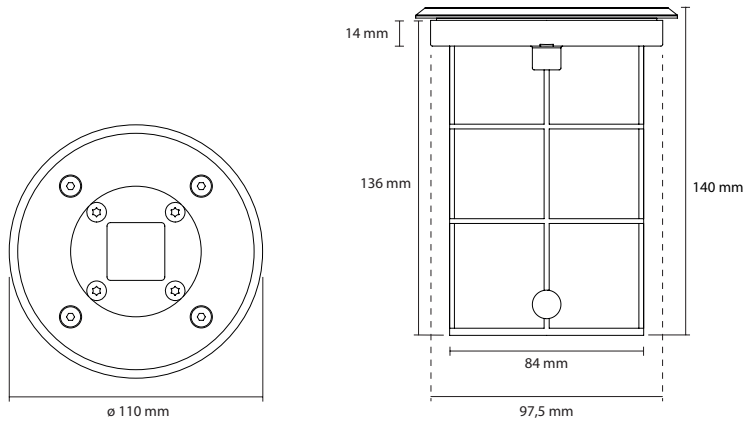


SAFETY INFORMATION

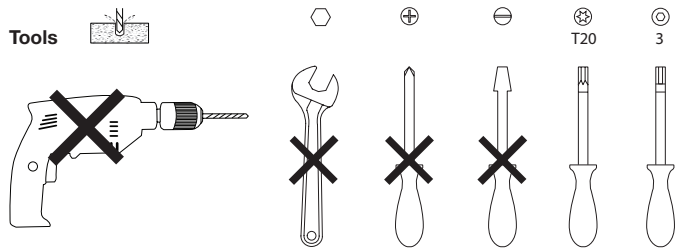
CONTENT



	13.5 cm	10 cm	200 cm			900 gr	15 kg/cm ²	IK10	50,000 h	20°	30°	66°	20 x 42°	120°	SOFT DIFFUSED	



Tools

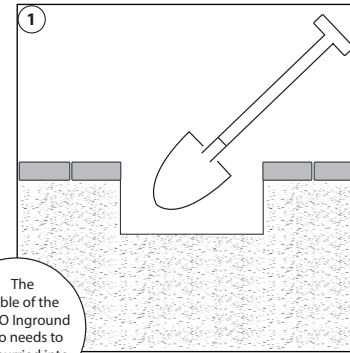


SPECIFICATIONS

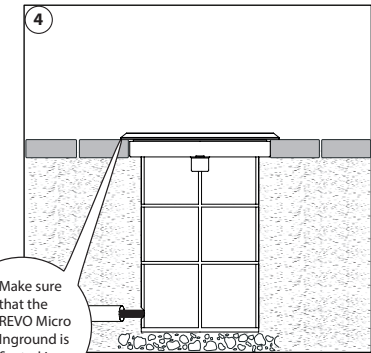
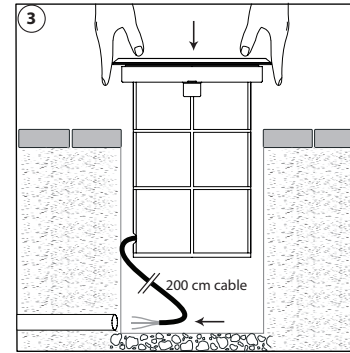
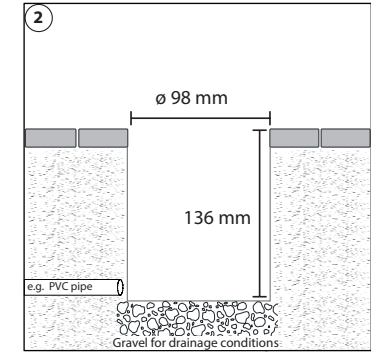
LED: High Power LED
 Available colours: Extra warm white 2700K, warm white 3000K, neutral white 4000K and amber
 Lenses: 20°, 30°, 66°, 20 x 42° & 120° soft diffused
 Power supply: 100 - 240 VAC / 24 VAC/DC
 Power factor: > 0.90
 Power consumption: Max. 5 Watt
 Housing: Coated aluminum / plastic sleeve
 Weight: 900 gr
 IP value: IP67
 IK value: IK10
 Cable length: 2 meter
 Measurements: 140 x 110 mm (h x ø)
 Ambient temperature: -20° C till +50° C

ACCESSORIES

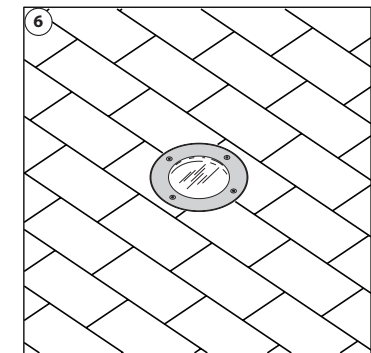
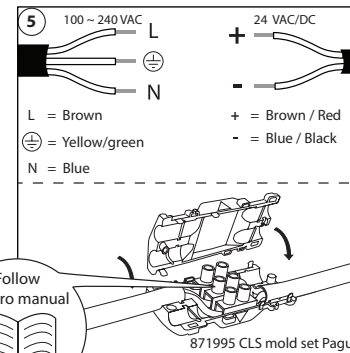
871992 CLS mold set, straight 8-26mm
 871995 CLS mold set Paguro grey



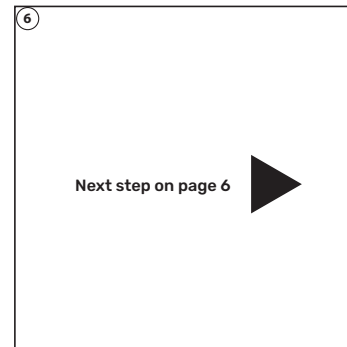
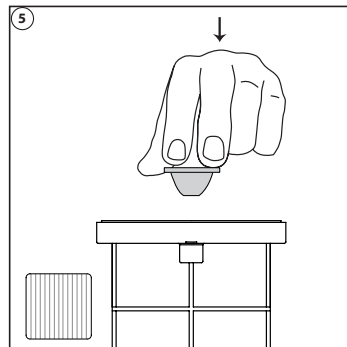
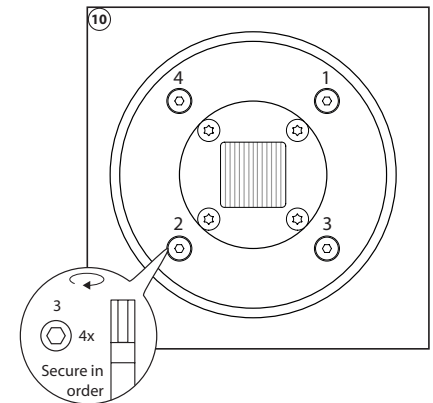
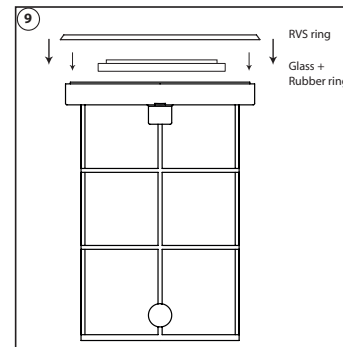
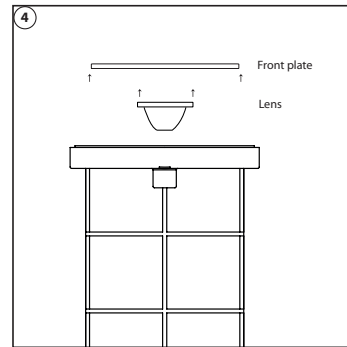
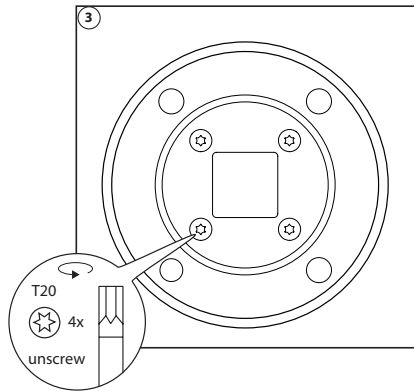
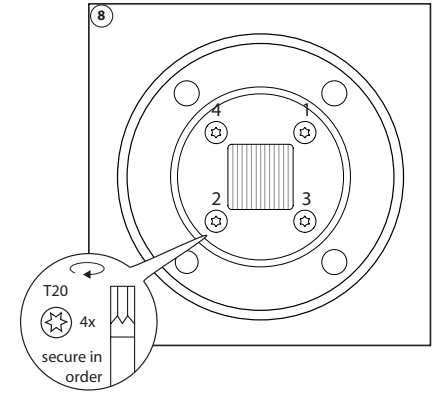
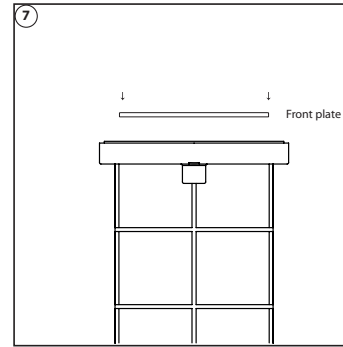
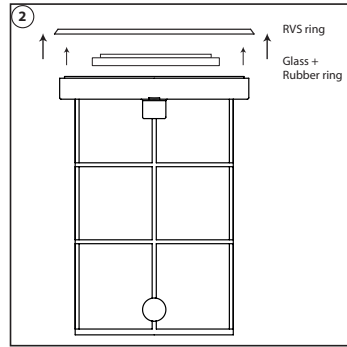
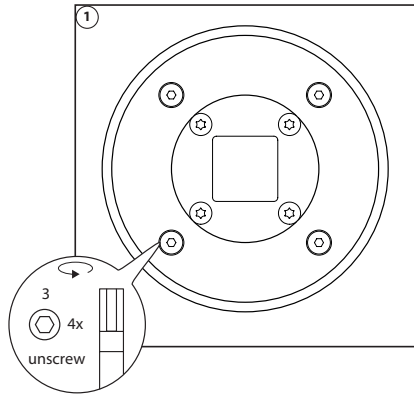
The cable of the REVO Inground also needs to be buried into the ground



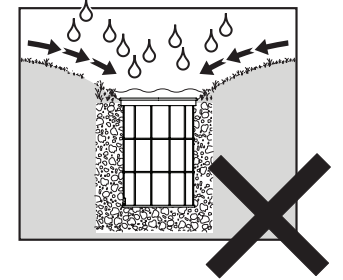
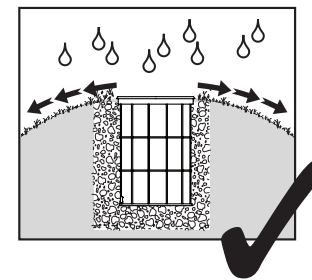
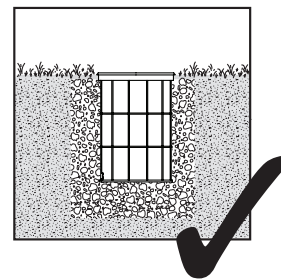
Make sure that the REVO Micro Inground is fixated in the hole



LENS REPLACEMENT

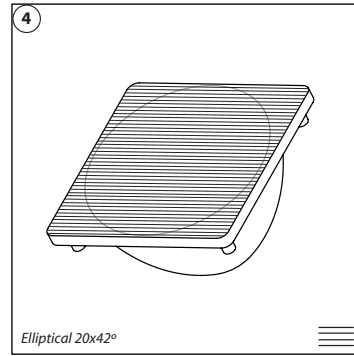
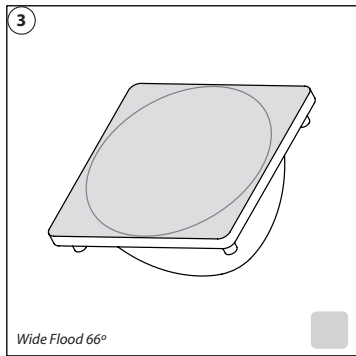
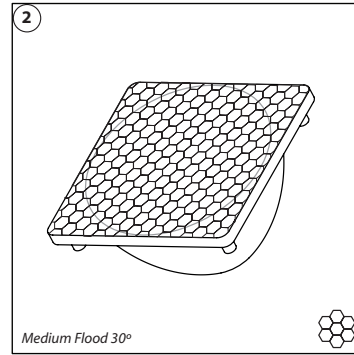
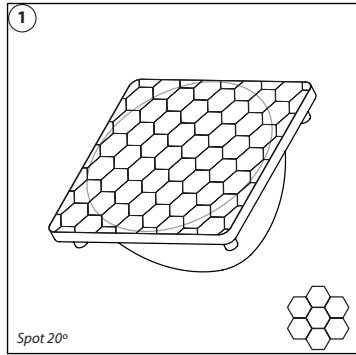


FLOODING



LENS INDEX

LIST OF SYMBOLS



2021 CLS-LED BV. All rights reserved. Information subject to change without notice. CLS-LED BV and all affiliated companies disclaim liability for injury, damage direct or indirect loss, consequential or economic loss or any other loss occasioned by the use of, inability to use or reliance on the information contained in this manual. No part of this manual may be reproduced, in any form or by any means, without permission in writing from CLS-LED BV. Other legal information can be found in our General conditions, found on the back of your CLS-LED BV invoice, inside the CLS catalogue or on our website www.cls-led.com/General-Terms.pdf

	Protection class One, two or three		Retail & Food LED modules Clothing, furniture, kitchens, jewellery, shoes, bread, meat, fish and vegetables & fruit.
	Application area Indoor or outdoor		Colour Available colours: Amber, blue, red or green
	Application area Floor, wall or ceiling		White colour temperature In different Kelvin values: Cold white, neutral white, warm white or extra warm white
	Swivel Fixture is horizontally rotatable, indicated in degrees		Curve Minimal bending curve in centimeters
	Swivel Fixture is vertically rotatable, indicated in degrees		Cutting length Indicated by the cutting marks
	Multiple connection Daisychain connectivity		LED pitch Pitch between the LEDs in millimeters
	Installation depth In centimeters		Power supply In VDC, VAC or milliAmpere
	Installation size In centimeters		Power consumption In VA or Watt
	Cable length Maximum cable attached to the fixture in centimeters		Dimmable 1-10 Volt, Phase, individual, DMX dimmable or DALI
	Driver Inclusive or exclusive Internal or external		PWM dimming Traditional PWM dimming, DMX analog or DMX Hybrid dim
	Weight In grams/kilograms		Bluetooth controlled By Casambi
	Pressure Maximum pressure on the fixture in kg/cm²		Magnet dimming Accurate dimming from 100 - 1% by using a magnet
	Lifespan Of the light source in hours		Dynamic Control Dynamic Power Control or Dynamic Temperature Control
	Lenses Available lenses, indicated in degrees		DMX input Fixture works on DMX512 protocol or Wireless DMX
	Performance Zoom Adjustable beam angle		Combined product Compose your own fixture
	LEDs Kind of LED used in the fixture		Warranty 3 or 5 years warranty on the product
	Plug & play Easy connection using the SmartConnect system		Conformité Européenne CE marking for free marketability of industrial goods within the EU
	IP value Ingress Protection classifies the degrees of protection provided against the intrusion of the product		Energy label
	Colour changing RGB, RGB-W, RGB-A, AWB or Tunable White		Light source Equipped with a CLS, Citizen or a Xicato LED module