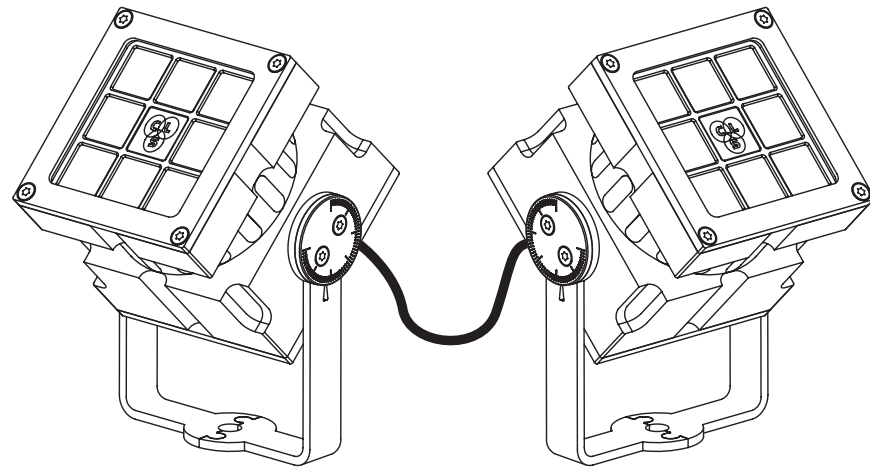


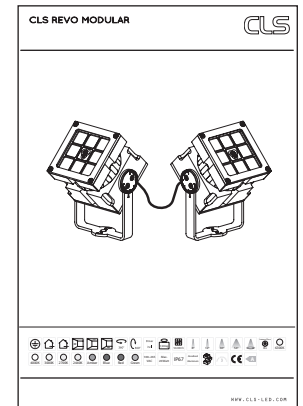
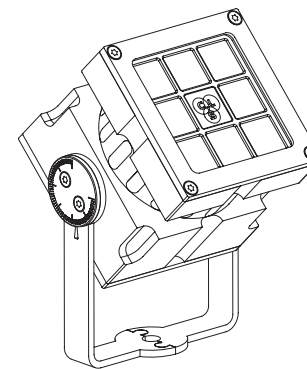
Index	2	Installation	4
Safety information	2	Feed-through connection	5
Content	2	Lens replacement	6
Technical	3	Lens index	7
Specifications	3	List of symbols	8

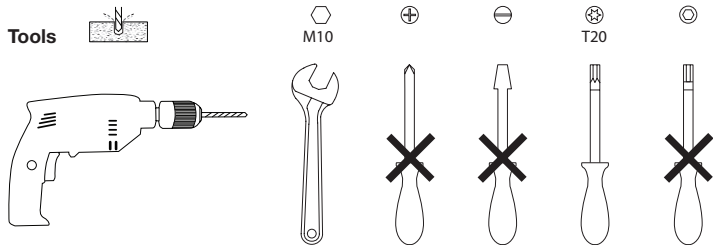
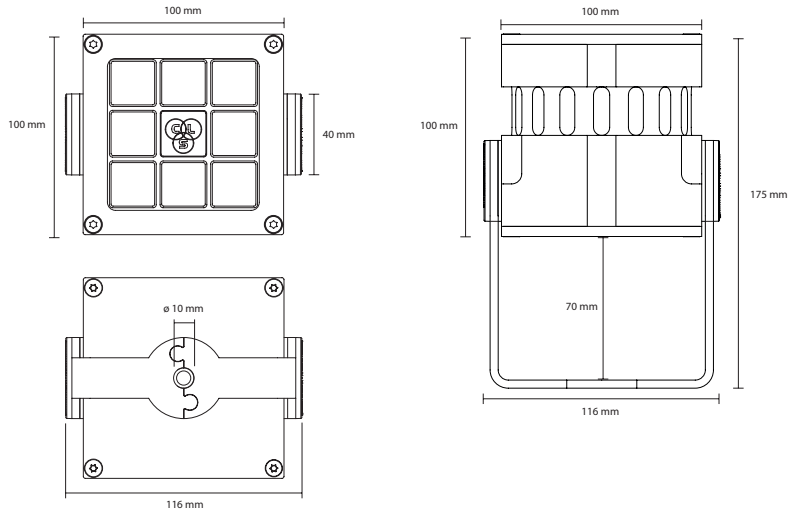


## SAFETY INFORMATION

Make sure all connectors are connected properly	Use a source of AC power that complies local electrical codes	Block access below the work area when maintaining the unit	Don't modify or install genuine parts on this product	Don't install in a flammable or explosive area	

## CONTENT



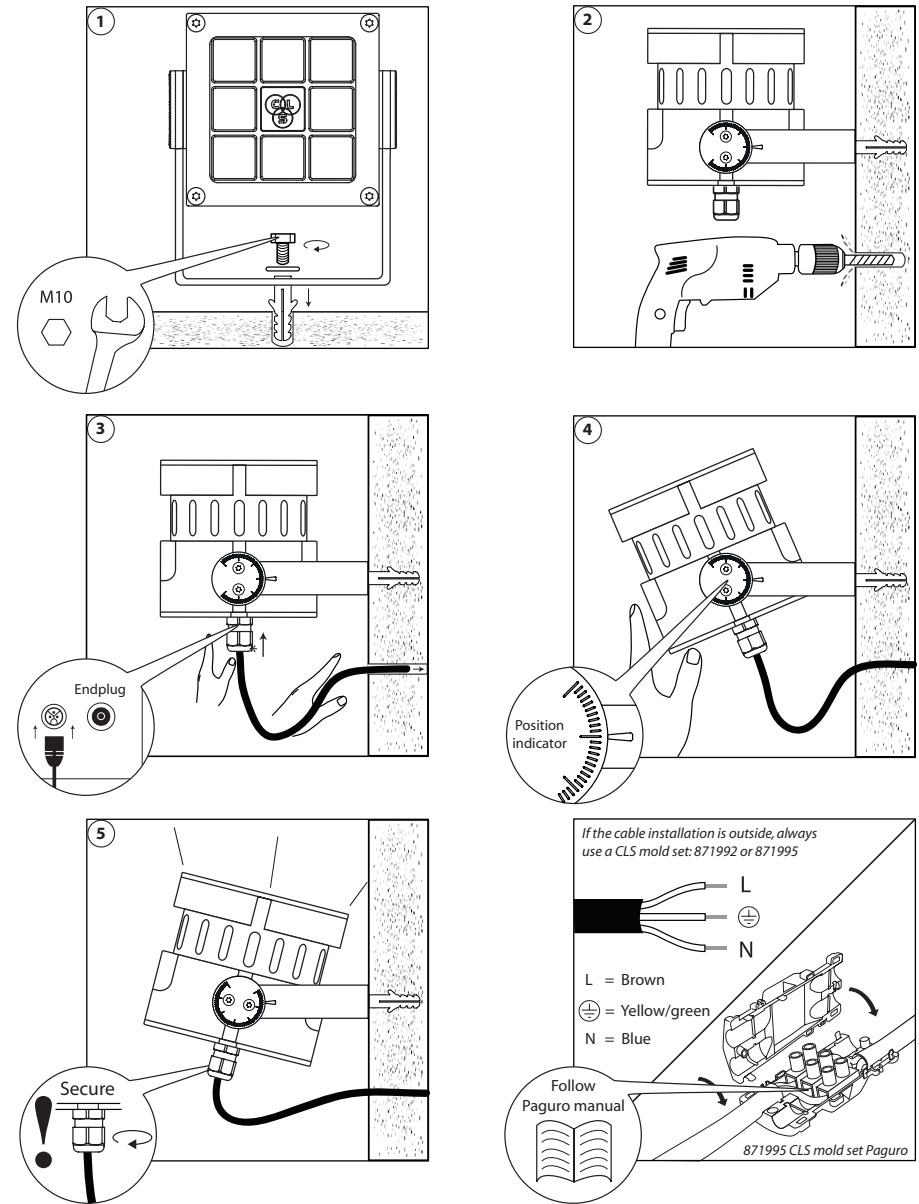



### SPECIFICATIONS

LED: 8 x Cree or Luxeon Rebel  
 Available colours: 2700K, 3000K, 4000K, 5000K, 6500K, amber, royal blue and red  
 Lenses: 8°, 12°, 30°, 61°, 80° & 12x46°  
 Power supply: 100 - 240 VAC  
 Power factor: > 0.99 (115VAC), > 0.95 (230VAC)  
 Power consumption: Max. 20 Watt  
 Housing: Anodised aluminum  
 Weight: 1,9 kg  
 IP value: IP67  
 Measurements: 175 x 116 x 100 mm (h x w x d)  
 Ambient temperature: -30° C till +40° C

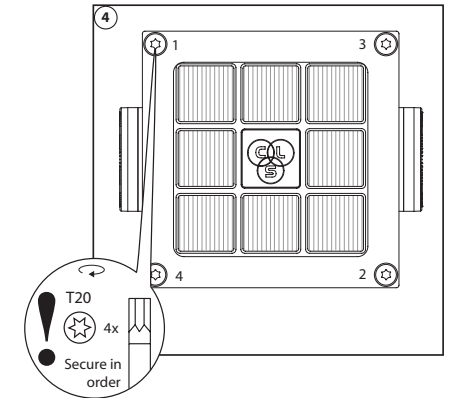
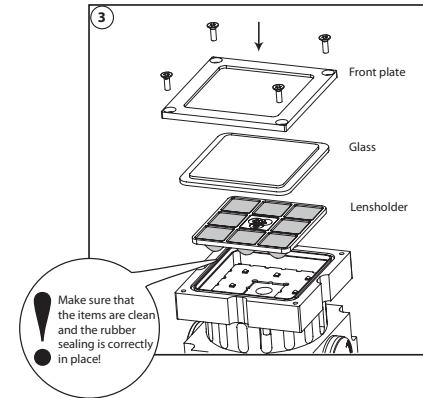
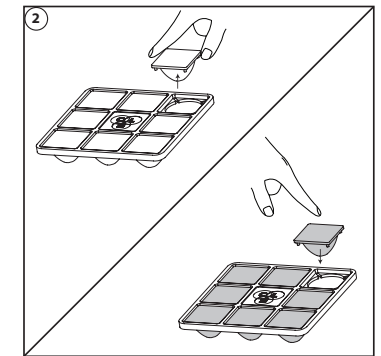
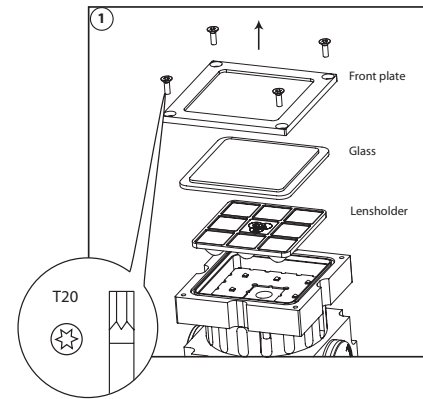
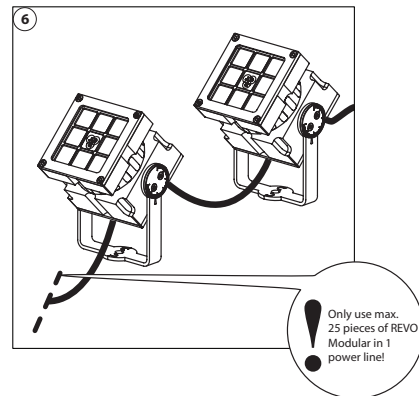
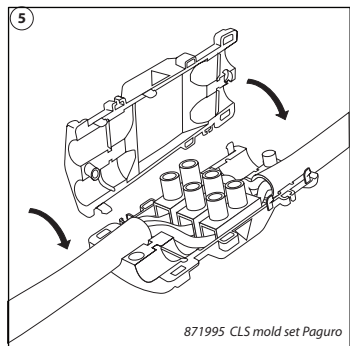
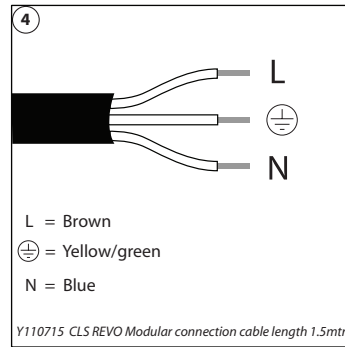
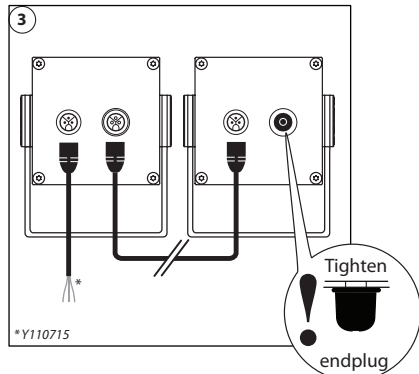
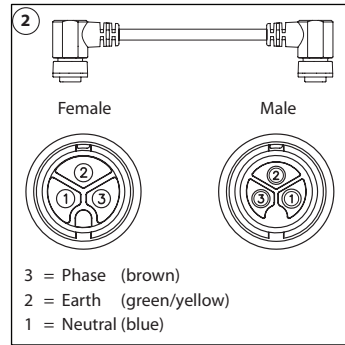
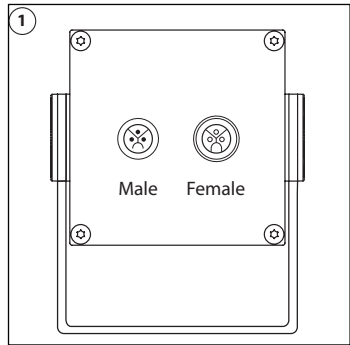
### ACCESSORIES

110415 CLS REVO lens kit superspot 8° 8 pcs of lenses  
 110425 CLS REVO lens kit spot 12° 8 pcs of lenses  
 110435 CLS REVO lens kit medium flood 30° 8 pcs of lenses  
 110445 CLS REVO lens kit wide flood 61° 8 pcs of lenses  
 110455 CLS REVO lens kit elliptical 12x46° 8 pcs of lenses  
 Y110701 CLS REVO Modular 3-P male cable connector IP68  
 Y110702 CLS REVO Modular 3-P female connector IP68  
 Y110715 CLS REVO Modular connection cable length 1.5mtr  
 Y110725 CLS REVO Modular feed-through cable length 20cm  
 Y110735 CLS REVO Modular feed-through cable length 2 mtr  
 Y110745 CLS REVO Modular feed-through cable length 4 mtr  
 Y110750 CLS REVO Modular feed-through cable length 8 mtr  
 871992 CLS mold set, straight 8-26mm  
 871995 CLS mold set Paguro grey



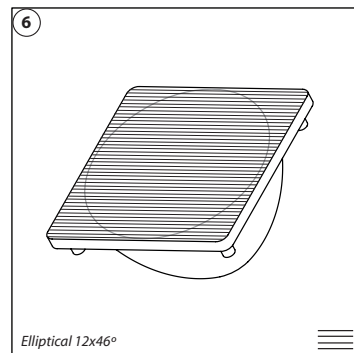
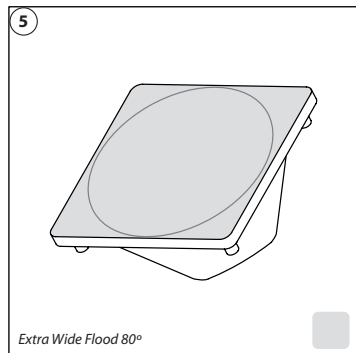
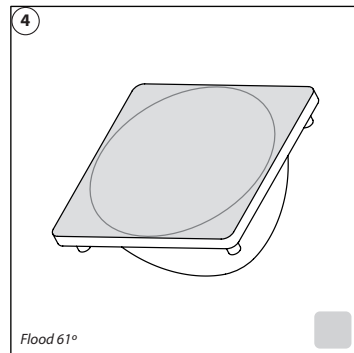
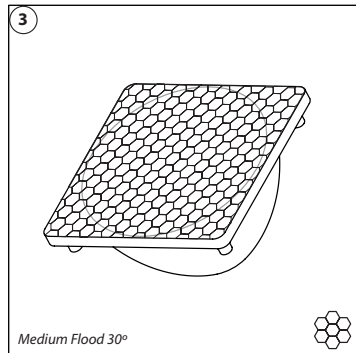
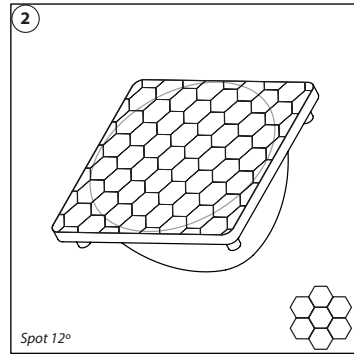
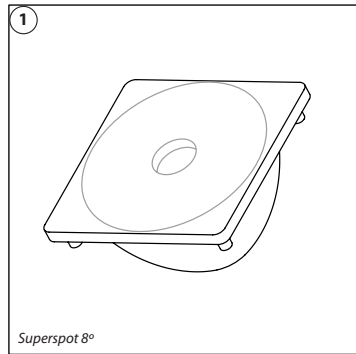
# FEED-THROUGH CONNECTION

# LENS REPLACEMENT



2018 CLS-LED BV. All rights reserved. Information subject to change without notice, CLS-LED BV and all affiliated companies disclaim liability for injury, damage direct or indirect loss, consequential or economic loss or any other loss occasioned by the use of, inability to use or reliance on the information contained in this manual. No part of this manual may be reproduced, in any form or by any means, without permission in writing from CLS-LED BV. Other legal information can be found in our General conditions, found on the back of your CLS-LED BV invoice, inside the CLS catalogue or on our website [www.cls-led.com/General-Terms.pdf](http://www.cls-led.com/General-Terms.pdf)

# LENS INDEX



# LIST OF SYMBOLS

	<b>Protection class</b> One, two or three		<b>Retail &amp; Food LED modules</b> Clothing, furniture, kitchens, jewellery, shoes, bread, meat, fish & vegetables & fruit.
	<b>Application area</b> Indoor or outdoor		<b>Colour</b> Available colours: Amber, blue, red or green
	<b>Application area</b> Floor, wall or ceiling		<b>White colour temperature</b> In different Kelvin values: Cold white, neutral white, warm white or extra warm white
	<b>Swivel</b> Fixture is horizontally rotatable, indicated in degrees		<b>Curve</b> Minimal bending curve in centimeters
	<b>Swivel</b> Fixture is vertically rotatable, indicated in degrees		<b>Cutting length</b> Indicated by the cutting marks
	<b>Multiple connection</b> Daisychain connectivity		<b>LED pitch</b> Pitch between the LEDs in millimeters
	<b>Installation depth</b> In centimeters		<b>Power supply</b> In VDC, VAC or milliAmpere
	<b>Installation size</b> In centimeters		<b>Power consumption</b> In VA or Watt
	<b>Cable length</b> Maximum cable attached to the fixture in centimeters		<b>Dimmable</b> 1-10 Volt, Phase, individual, DMX dimmable or DALI
	<b>Driver</b> Inclusive or exclusive Internal or external		<b>Bluetooth controlled</b> By Casambi
	<b>Weight</b> In grams/kilograms		<b>Magno dimming</b> Accurate dimming from 100 - 1% by using a magnet
	<b>Pressure</b> Maximum pressure on the fixture in kg/cm <sup>2</sup>		<b>Dynamic Control</b> Dynamic Power Control or Dynamic Temperature Control
	<b>Lifespan</b> Of the light source in hours		<b>DMX 512</b> Fixture works on DMX512 protocol
	<b>Lenses</b> Available lenses, indicated in degrees		<b>Combined product</b> Compose your own fixture
	<b>LEDs</b> Kind of LED used in the fixture		<b>Warranty</b> 3 or 5 years warranty on the product
	<b>Plug &amp; play</b> Easy connection using the SmartConnect system		<b>Conformité Européenne</b> CE marking for free marketability of industrial goods within the EU
	<b>IP value</b> Ingress Protection classifies the degrees of protection provided against the intrusion of the product		<b>Energy label</b>
	<b>Colour changing</b> RGB, RGB-W, RGB-A, AWB or Tunable White		<b>Lightsource</b> Equipped with a CLS, Citizen or a Xicato LED module