

Index _____ 2

Safety information _____ 2

Content _____ 2

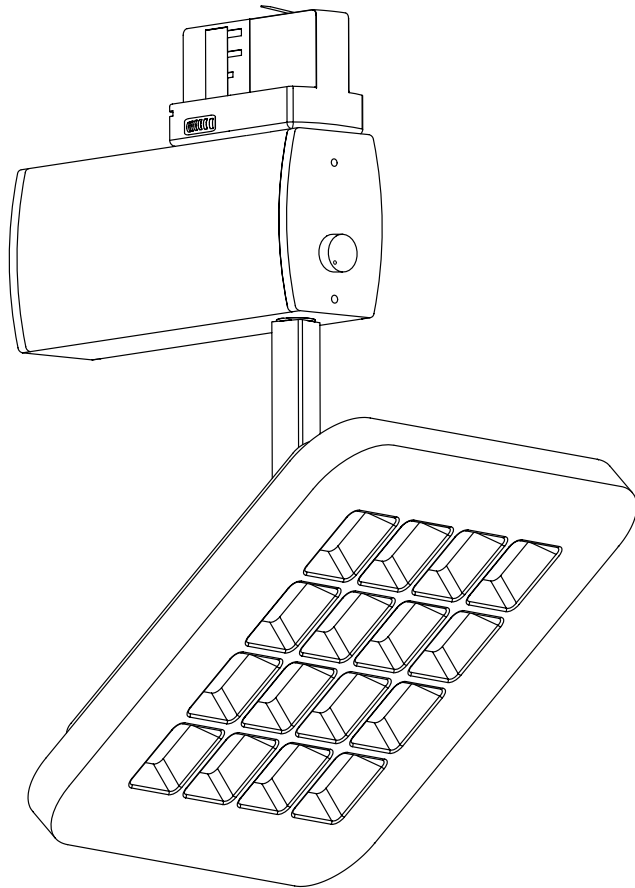
Technical _____ 3

Specifications _____ 3

Installation _____ 4

Accessories _____ 5

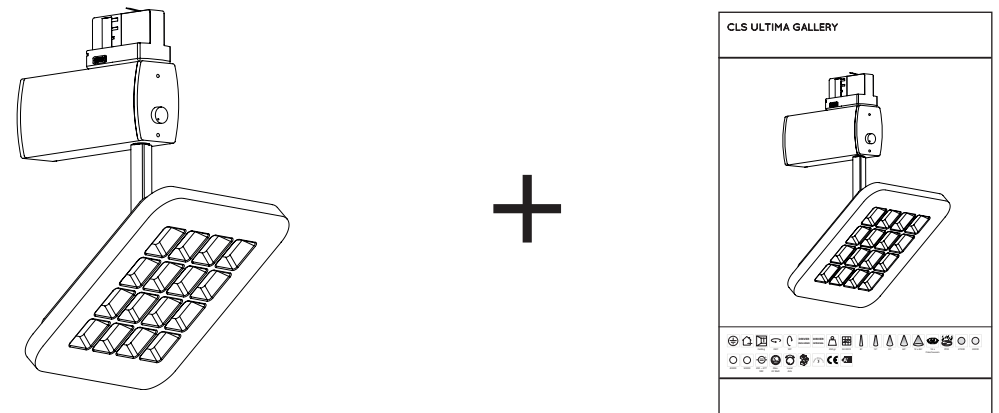
List of symbols _____ 6



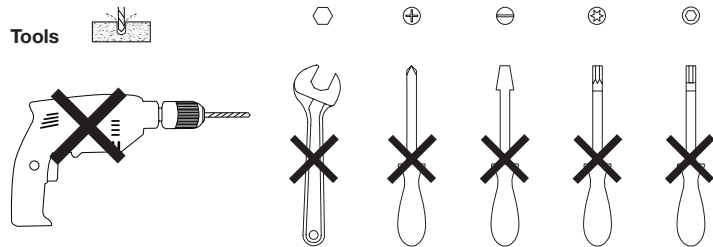
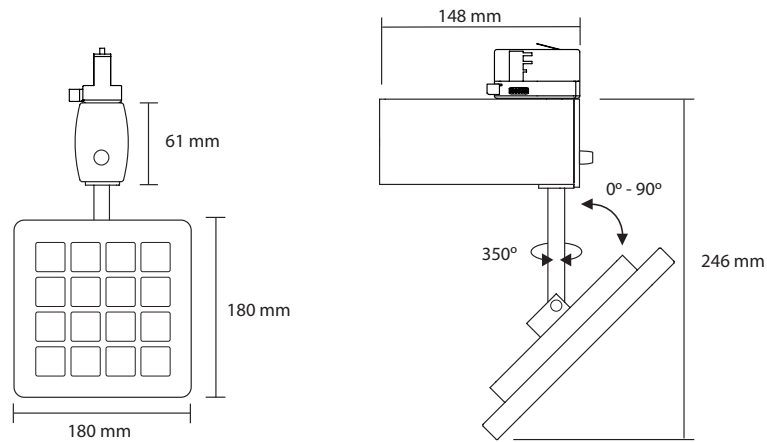
SAFETY INFORMATION

Make sure all connectors are connected properly	Use a source of AC power that complies to local electrical codes	Block access below the work area when maintaining the unit	Don't modify or install genuine parts on this product	Don't install in a flammable or explosive area	Warning! Some surfaces can be hot

CONTENT

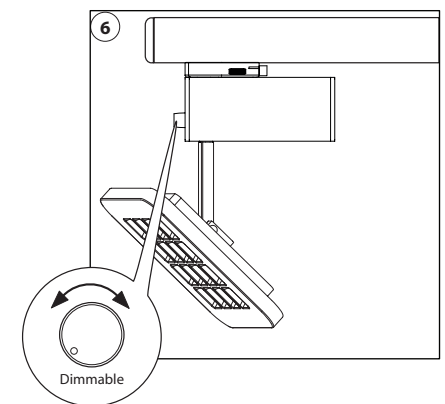
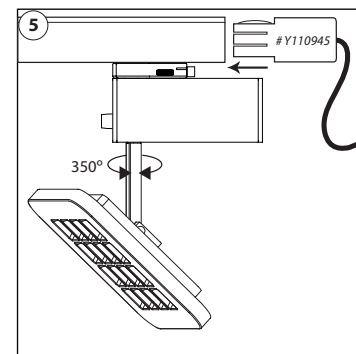
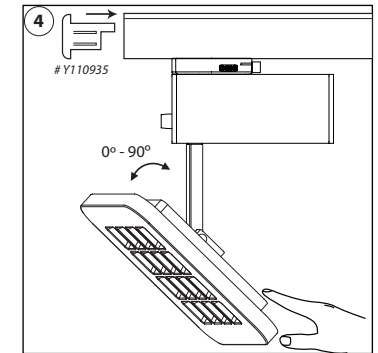
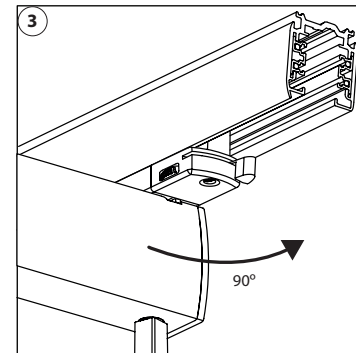
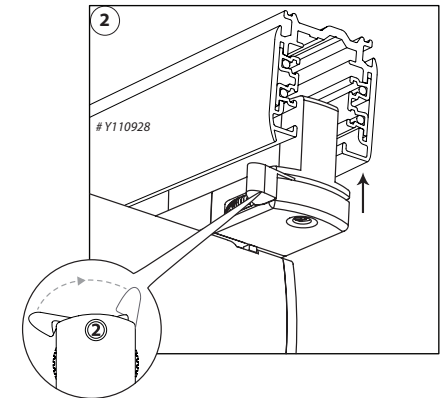
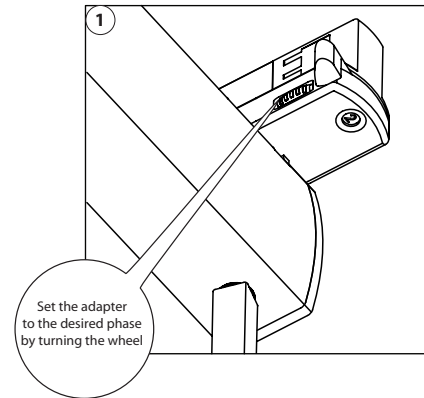


					DRIVER INCLUDED	DRIVER INTERNAL											
4000K	5000K	200-277 VAC	Max. 20 Watt	Local dim													



SPECIFICATIONS

LED: 16 x Cree or Luxeon Rebel
 Available colours: 2700K, 3000K, 4000K and 5000K
 Lenses: 8°, 12°, 30°, 60° and 12x46°
 Power supply: 200 ~ 277 VAC
 Power factor: > 0,92
 Power consumption: Max. 20 Watt
 Housing: PC / ABS / aluminum
 Weight: 1,2 kg
 IP value: IP20
 Measurements: 246 x 180 x 162 mm (hwxwd)
 Ambient temperature: -10° C till +40° C



ACCESSORIES

Y110880	CLS T-connector grey for 3-phaserail, ground left, XTS 36-1
Y110881	CLS T-connector black for 3-phaserail, ground left, XTS 36-2
Y110882	CLS T-connector white for 3-phaserail, ground left, XTS 36-3
Y110925	CLS 3-phase rail 1mtr aluminum XTS 4100
Y110926	CLS 3-phase rail 2 metre aluminum XTS 4200
Y110927	CLS 3-phase rail 2mtr black XTS 4200
Y110928	CLS 3-phase rail 3mtr aluminum XTS 4300
Y110929	CLS 3-phase rail 4mtr aluminum XTS 4100
Y110930	CLS 3-phase rail 3mtr white XTS 4300
Y110931	CLS 3-phase rail 3mtr black XTS 4300
Y110932	CLS 3-phase rail 4mtr black XTS 4400
Y110935	CLS end piece for 3-phase rail grey XTS 41
Y110938	CLS end piece for 3-phase rail black XTS 41
Y110939	CLS end piece for 3-phase rail white XTS 41-3
Y110945	CLS connection box for 3-phase rail, grey XTS 11
Y110946	CLS connection box for 3-phase rail, grey XTS 12
Y110950	CLS connection box for 3-phase rail black XTS 11
Y110954	CLS L-connector grey for 3-faserail, ground left
Y110955	CLS L-connector grey for 3-faserail, ground right
Y110960	CLS connect piece gray (connect rail-rail) XTS
Y110961	CLS connect piece white (connect rail-rail) XTS21
Y110962	CLS connect piece black (connect rail-rail) XTS
Y110965	CLS hanging bracke for 3-phase rail, grey SKB16
Y110966	CLS hanging set, grey SKB12 with 1.5 mtr steel
Y110970	CLS bending tool XTSV 12
Y110980	CLS round mountingdisk GA70 grey
Y110985	CLS round mountingdisk GA70 white
Y110990	CLS round mountingdisk GA70 black

2018 CLS-LED BV. All rights reserved. Information subject to change without notice, CLS-LED BV and all affiliated companies disclaim liability for injury, damage direct or indirect loss, consequential or economic loss or any other loss occasioned by the use of, inability to use or reliance on the information contained in this manual. No part of this manual may be reproduced, in any form or by any means, without permission in writing from CLS-LED BV. Other legal information can be found in our General conditions, found on the back of your CLS-LED BV invoice, inside the CLS catalogue or on our website www.cls-led.com/General-Terms.pdf

	Protection class One, two or three		Retail & Food LED modules Clothing, furniture, kitchens, jewellery, shoes, bread, meat, fish and vegetables & fruit.
	Application area Indoor or outdoor		Colour Available colours: Amber, blue, red or green
	Application area Floor, wall or ceiling		White colour temperature In different Kelvin values: Cold white, neutral white, warm white or extra warm white
	Swivel Fixture is horizontally rotatable, indicated in degrees		Curve Minimal bending curve in centimeters
	Swivel Fixture is vertically rotatable, indicated in degrees		Cutting length Indicated by the cutting marks
	Multiple connection Daisychain connectivity		LED pitch Pitch between the LEDs in millimeters
	Installation depth In centimeters		Power supply In VDC, VAC or milliAmpere
	Installation size In centimeters		Power consumption In VA or Watt
	Cable length Maximum cable attached to the fixture in centimeters		Dimmable 1-10 Volt, Phase, individual, DMX dimmable or DALI
	Driver Inclusive or exclusive Internal or external		Bluetooth controlled By Casambi
	Weight In grams/kilograms		Magne dimming Accurate dimming from 100 - 1% by using a magnet
	Pressure Maximum pressure on the fixture in kg/cm ²		Dynamic Control Dynamic Power Control or Dynamic Temperature Control
	Lifespan Of the light source in hours		DMX input Fixture works on DMX512 protocol
	Lenses Available lenses, indicated in degrees		Combined product Compose your own fixture
	LEDs Kind of LED used in the fixture		Warranty 3 or 5 years warranty on the product
	Plug & play Easy connection using the SmartConnect system		Conformité Européenne CE marking for free marketability of industrial goods within the EU
	IP value Ingress Protection classifies the degrees of protection provided against the intrusion of the product		Energy label
	Colour changing RGB, RGB-W, RGB-A, AWB or Tunable White		Lightsource Equipped with a CLS, Citizen or a Xicato LED module

